

Entry /ECO

Standard /STD

Professional/PRO

ODM & OEM

Intelligent/INT



LED Panel Light  
Softglow Series





## Introduction

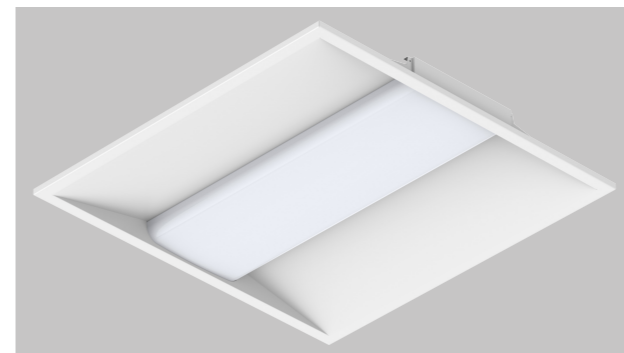
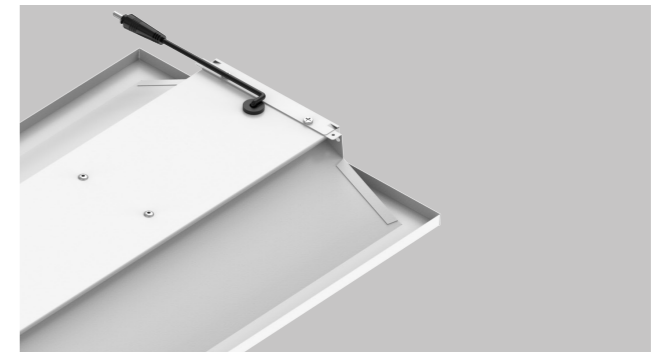
The softglow is a new LED troffer light which adopts a secondary optical design. The PMMA optic lens combines with specially designed PC shade to achieve a more uniform light and larger emitting area. As a result, users can enjoy more comfortable visual experience. Luminous efficiency 115lm/W. Designed for grid ceiling commercial applications.

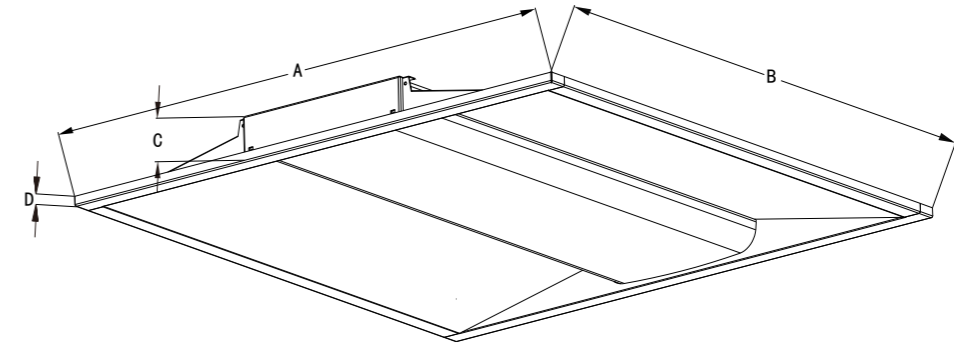
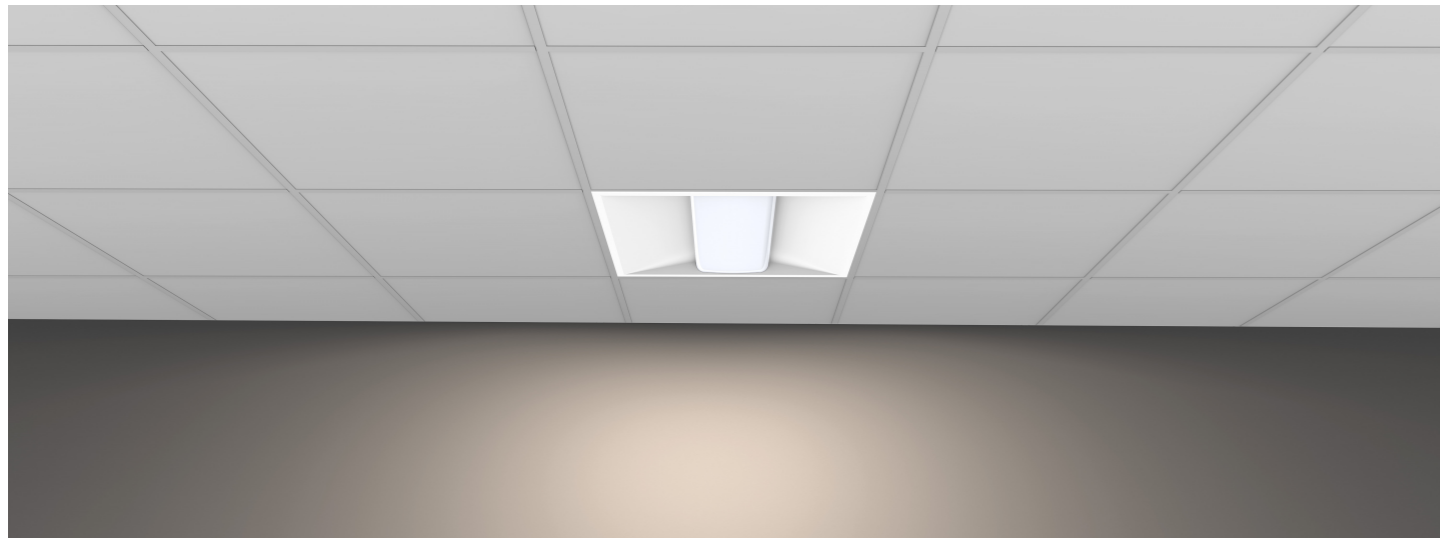
## Features

- High lumen efficiency, 115lm/W. Up to 80% energy saving compared to standard CFL.
- Wide beam angle 130degrees.
- Interchangeable CCT(3000K+4000K+5700K)with slide switch.
- External flicker free driver, no UV/IR light.
- Dimming way: Triac/DALI/0-10V.
- Recessed installation only.

## Application Areas

Office & school lighting: office room, meeting room, class room etc. Commercial lighting: shopping mall, super market, retailer shops etc. Other situations: hospital, laboratory, dust-free workshop etc.





## Technical Data Sheet

Code No.	GL002-6060-32W	GL002-30120-32W	
Dimension(mm)	595*595*54	295*1195*54	
Cutout (mm)	-		
Watt(W)	32W		
Rated Input Voltage(V)	AC230V		
Input Voltage(V)	AC220-240V		
LED Module Input	33-38V DC 850mA CC		
Light Source	SMD2835		
SDCM	≤ 6		
CCT(K)	1-CCT: 3000K/4000K/5000K/5700K   3-CCT: 3000K+4000K+5700K		
CCT Selection DIP Switch	YES		
Luminous Flux (lm) ±5%	Non-DIM	1-CCT	3380-3680
	DIM	1-CCT	3280-3580
	Non-DIM	3-CCT	3380-3800
	DIM	3-CCT	3280-3700
CRI	≥ 80		
Beam Angle (°)	130°		
UGR	-		
LED Driver	Driver built-out		
Dimming Option	Triac/ DALI/ 0-10V		
Sensor	-		
Emergency Kits	-		
Electrical Class	Class II		
Ingress Protection (IP Rating)	IP20		
Impact Resistance (IK Rating)	IK06		
Product Finishing(Base)	White		
Materials of Optics	PMMA(Lens)+PC(Diffuser)		
Materials of Housing	SPCC		
Lifetime (hr)	50,000h		
Glow wire test (°C)	750°C		
Operating Temp. (°C)	-10 °C~45°C		
Storage Temp. (°C)	-20 ~ 65 °C		
Installation	Recessed		

## Measurement

Code	Dimension(mm)				Size(mm)	Product Weight (Kg)		Package weight (Kg)		Carton Size(cm)	Qty/CTN	20GP (pcs)	40HQ (pcs)
	A	B	C	D		N.W/PC	G.W/PC	N.W/CTN	G.W/CTN				
6060	595	595	54	10	595*595*54	2.37	2.9	9.5	12.7	64*31*64	4	852	2016
30120	1195	295	54	10	295*1195*54	2.53	3.1	10.2	13.6	124*31*34	4	720	1820

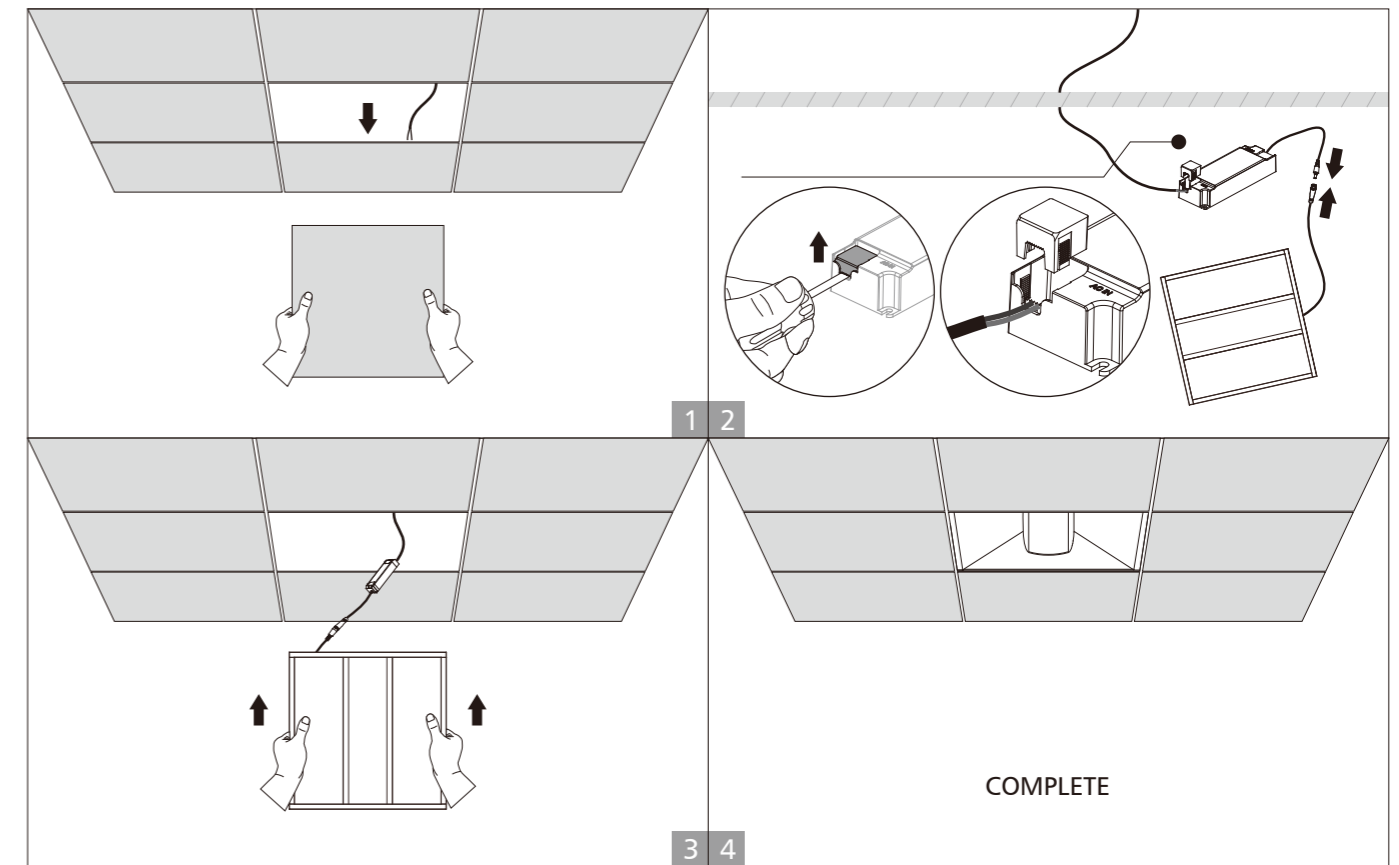
## Driver Datasheet (Non-Dimmable)

Total load wattage		32W
Output	Output Voltage range	DC30-40V
	Rated output current	850mA
	Line Regulation	±5%
	Setup, Rise Time	500ms @230V
	Flickering Index	0.5%(NO RISK) Protection
Input	Input Voltage	AC200-264V
	Rated Input Voltage(V)	AC220-240V
	Frequency	50/60Hz
	Input Current	0.193
	Rated Input Current	0.192
	Power Factor	≥ 0.9
	THD	<20% @230V
	Efficiency	≥ 90%
	No load wattage	<0.5w @230V Output
Protection	Short circuit protection	Constant current limiting, recovers automatically after fault condition is removed
	Over voltage protection	Shut down o/p voltage
	Over temperature protection	Shut down o/p voltage, recovers automatically after temperature goes down
Safety & EMC	Withstand voltage	I/P-O/P: 3.75KVac, <5mA 60S
	Isolation Resistance	I/P-O/P: 500VDC, ≥ 100M Ω
	Surge	IEC/EN61000-4-5(L-N:1KV)
	EMC Emission	IEC/EN55015, IEC/EN61000-3-2
EMC Immunity	IEC/EN61000-4-2,3,4,5,6,8,11; IEC/EN61547	

# Driver Datasheet (Triac Dimmable)

Total load wattage		32W
Output	Output Voltage range	DC30-40V
	Rated output current	850mA
	Line Regulation	±5%
	Setup, Rise Time	500ms @230V Flickering Index
	Flickering Index	3%(LOW RISK)
Input	Input Voltage	200-264V
	Rated Input Voltage(V)	220-240V
	Frequency	50Hz
	Input Current	0.193
	Rated Input Current	0.192
	Power Factor	0.9
	THD	<20% @230V
	Efficiency	≥84%
	No load wattage	<0.5W@230V~
	Protection	Short circuit protection
Over voltage protection		Shut down o/p voltage
Over temperature protection		Shut down o/p voltage, recovers automatically after temperature goes down
Safety &EMC	Withstand voltage	I/P-O/P:3.75KVac, <5mA 60S
	Isolation Resistance	I/P-O/P: 500VDC, ≥100M Ω
	Surge	IEC/EN61000-4-5(L-N:1KV)
	EMC Emission	IEC/EN55015, IEC/EN61000-3-2
	EMC Immunity	IEC/EN61000-4-2,3,4,5,6,8,11; IEC/EN61547

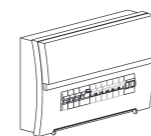
## Recessed



## Installation Procedure

### WARNING ⚡

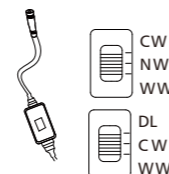
1. Switch off before installation.
2. Switch on only after complete installation and examination of the circuit.
3. Professional electrician for installation and maintenance only.



Turn Off power supply before starting any installation. Read instructions & check you have all the tools & accessories to complete the installation correctly.

For color changeable model (controlled by Slide Switch in lamp), please select light color before installation, see below picture.

Choose color by slide switch with corresponding color temperature.



**ECO**  
Specifications

**STD**  
Specifications

**PRO**  
Specifications

**ODM**  
Specifications

  
**INT**  
Intelligent

**interglo**  
Lighting

[www.interglo.com.au](http://www.interglo.com.au) [sales@interglo.com.au](mailto:sales@interglo.com.au) TEL: 03 9518 5112