

Entry / ECO

Standard / STD

Professional / PRO

ODM & OEM

Intelligent / INT



LED Downlight
CL304 Series





Introduction

CL304 is 30 degrees tilted design, it adopts high lumen SMD LED, PC diffuser with even light output. Plastic coated aluminum housing with deep reflector design to reduce the glare, adjustable CCT for a wider application. Two types optional: Type A is with quick wire connector, Type B is with AU plug. Dimmable driver shares great popularity by the excellent dimming effect.

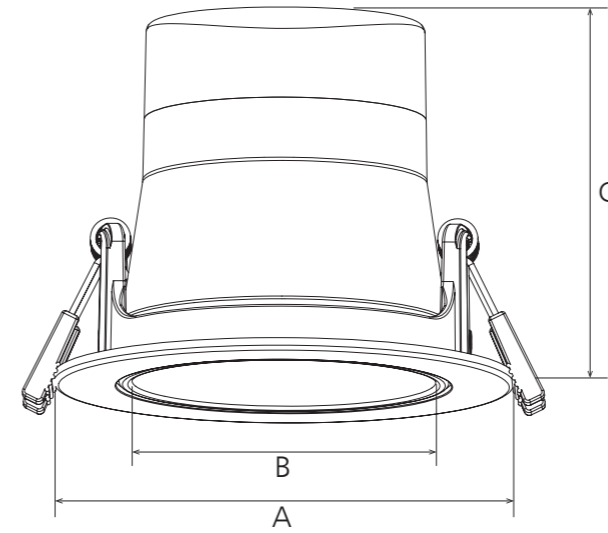
Features

- 30 degrees tilted design.
- Type A with fast connector, type B with AU plug.
- Interchangeable CCT(3000/4000/5700K) with slide switch.
- IP54 waterproof in front.
- UGR<19 for black color, UGR<25 for white color.
- Non-isolated internal flicker free driver.
- Triac dimming way.

Application Areas

It is designed for general lighting applications in office, supermarket, shop, school, hotel, etc. It is also widely used for public areas, such as stairway, lobby, reception, corridors etc.





Technical Data Sheet

Code No.	CL304A-3-8W	CL304B-3-8W		
Dimension(mm)	Ø106*84mm	Ø106*84mm		
Cutout (mm)	Ø90-95mm	Ø90-95mm		
Watt(W)	8W	8W		
Rated Input Voltage(V)	AC230V			
Input Voltage(V)	AC220-240V			
LED Module Input	-			
Light Source	SMD2835			
SDCM	<6			
CCT(K)	1-CCT: 3000K/4000K/5000K/5700K 3-CCT: 3000K + 4000K + 5700K			
CCT Selection DIP Switch	YES			
Luminous Flux (lm) ±5% (White)	Non-DIM	1-CCT	-	-
	DIM	1-CCT	760-950	760-950
	Non-DIM	3-CCT	-	-
	DIM	3-CCT	760-950	760-950
Lumen decrease 40% for Black color				
CRI	≥80			
Beam Angle (°)	45° / 60°			
UGR	<19(Black) / <25(White)			
LED Driver	Built-in			
Dimming Option	Triac			
Sensor	NO			
Emergency Kits	NO			
Electrical Class	Class II			
Ingress Protection (IP Rating)	IP54(Below Ceiling) IP20(Inside Ceiling)			
Impact Resistance (IK Rating)	-			
Product Finishing(Base)	White RAL 9016 / Black RAL9005			
Materials of Optics	PC			
Materials of Housing	Plastic coated aluminum			
Lifetime (hr)	50000h			
Glow wire test (°C)	750°C			
Operating Temp. (°C)	-20°C~40°C			
Storage Temp. (°C)	-20°C~65°C			
Installation	Recessed			

Measurement

Code	Dimension(mm)			Size(mm)	Product Weight (Kg)		Package weight (Kg)		Carton Size(cm)	Qty/CTN	20GP (pcs)	40HQ (pcs)
	A	B	C		N.W/PC	G.W/PC	N.W/CTN	G.W/CTN				
CL304A-3	106	87	84	Ø106*84	0.17	0.21	5.1	6.92	56.5*34.5*21	30	19200	47520
CL304B-3	106	87	84	Ø106*84	0.21	0.25	6.3	8.13	56.5*34.5*21	30	19200	47520

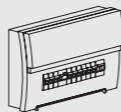
Driver Datasheet(Triac Dimmable)

Total load wattage		8W
Output	Output Voltage range	60-80V
	Rated output current	100mA
	Line Regulation	±5%
	Setup, Rise Time	<0.5S
	Flickering Index	<5%(LOW RISK)
Input	Input Voltage	AC220-240V
	Rated Input Voltage(V)	AC230V
	Frequency	50/60HZ
	Input Current	0.06A
	Rated Input Current	≤0.05A
	Power Factor	0.9
	THD	<30% @230V
	Efficiency	80%
Protection	No load wattage	≤0.5W
	Short circuit protection	PASS
	Over voltage protection	PASS
Safety &EMC	Over temperature protection	PASS
	Withstand voltage	O/P-FG:0.5KVac, <5mA 60S
	Isolation Resistance	I/P-O/P: 500VDC, ≥100M Ω
	Surge	IEC/EN61000-4-5(L-N:500V)
Safety &EMC	EMC Emission	EN55015, EN61000-3-2
	EMC Immunity	EN61000-4-2,3,4,5,6,8,11; EN61547

Installation Procedure

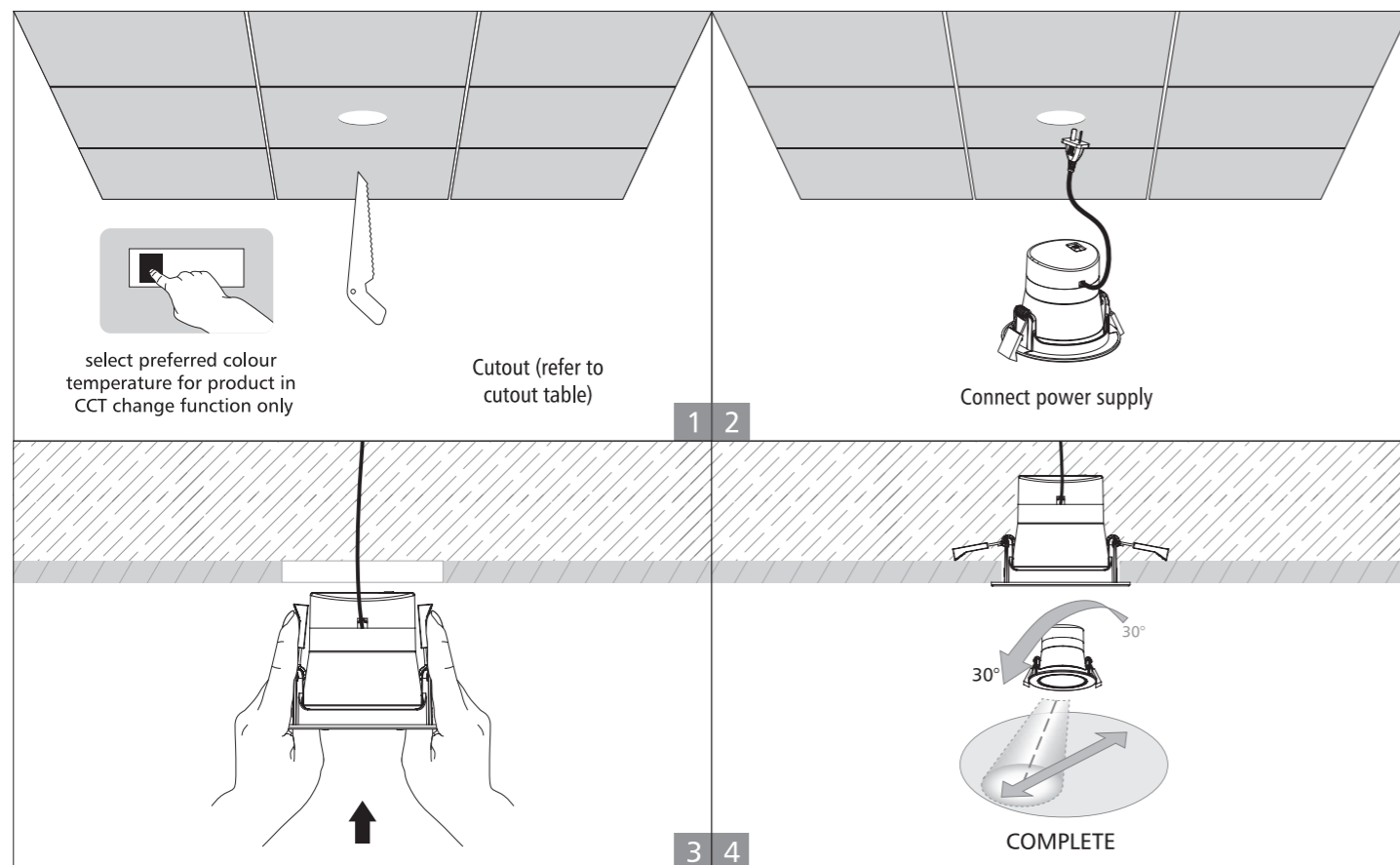
WARNING ⚡

1. Switch off before installation.
2. Switch on only after complete installation and examination of the circuit.
3. Professional electrician for installation and maintenance only.
4. Input wire diameter $\geq 0.75\text{mm}^2$;
5. Product modification and improper installation are not valid for warranty!
6. Light source of the luminaire is non-user-replaceable, if it is damaged, the luminaire shall be destroyed.
7. Warning-risk of overheating or fire if the clearance distances are compromised!

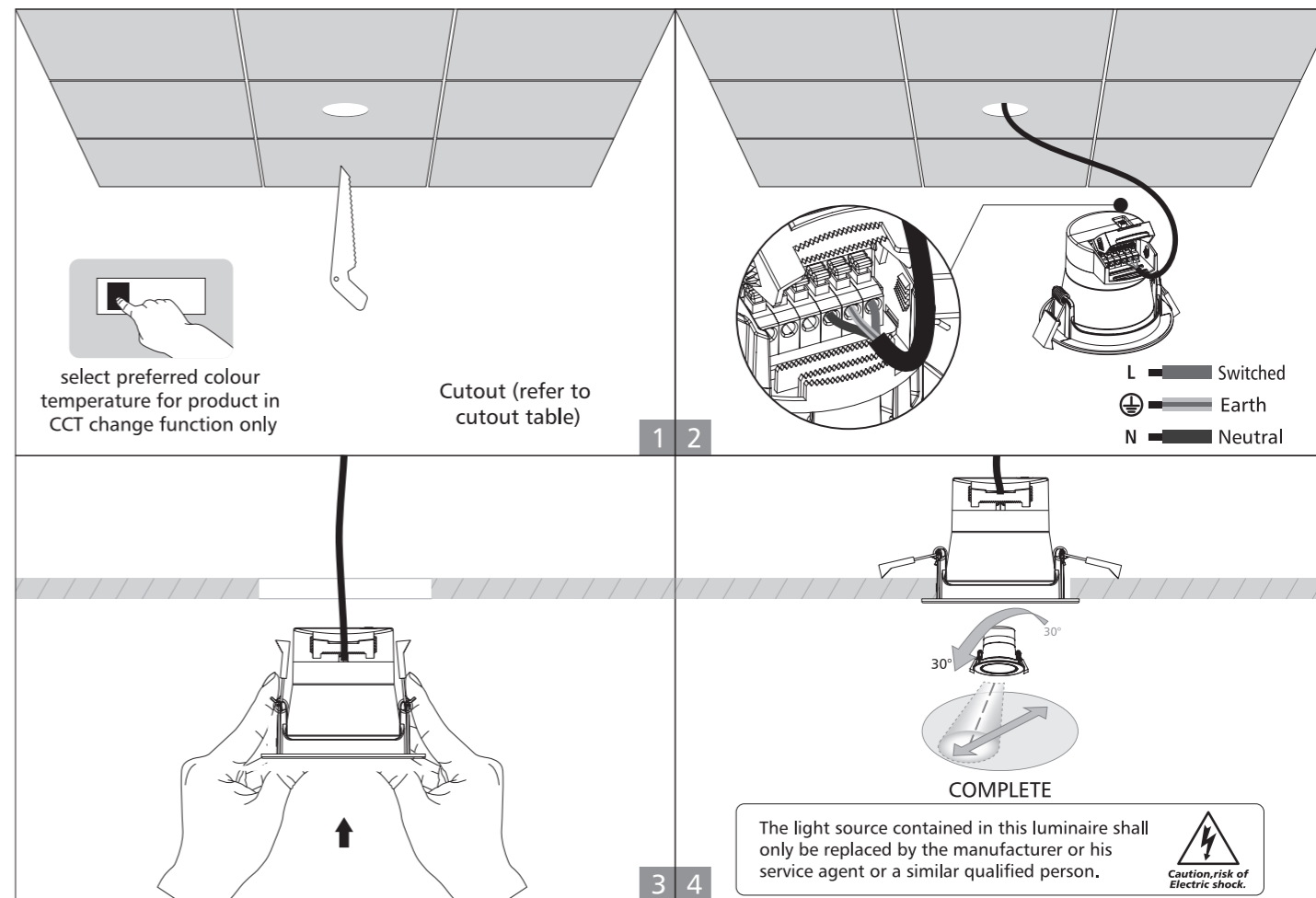


CAUTION
Risk of electric shock

Downlight with plug



Downlight with internal driver



ECO
Specifications

STD
Specifications

PRO
Specifications

ODM
Specifications


INT
Intelligent

interglo
Lighting