

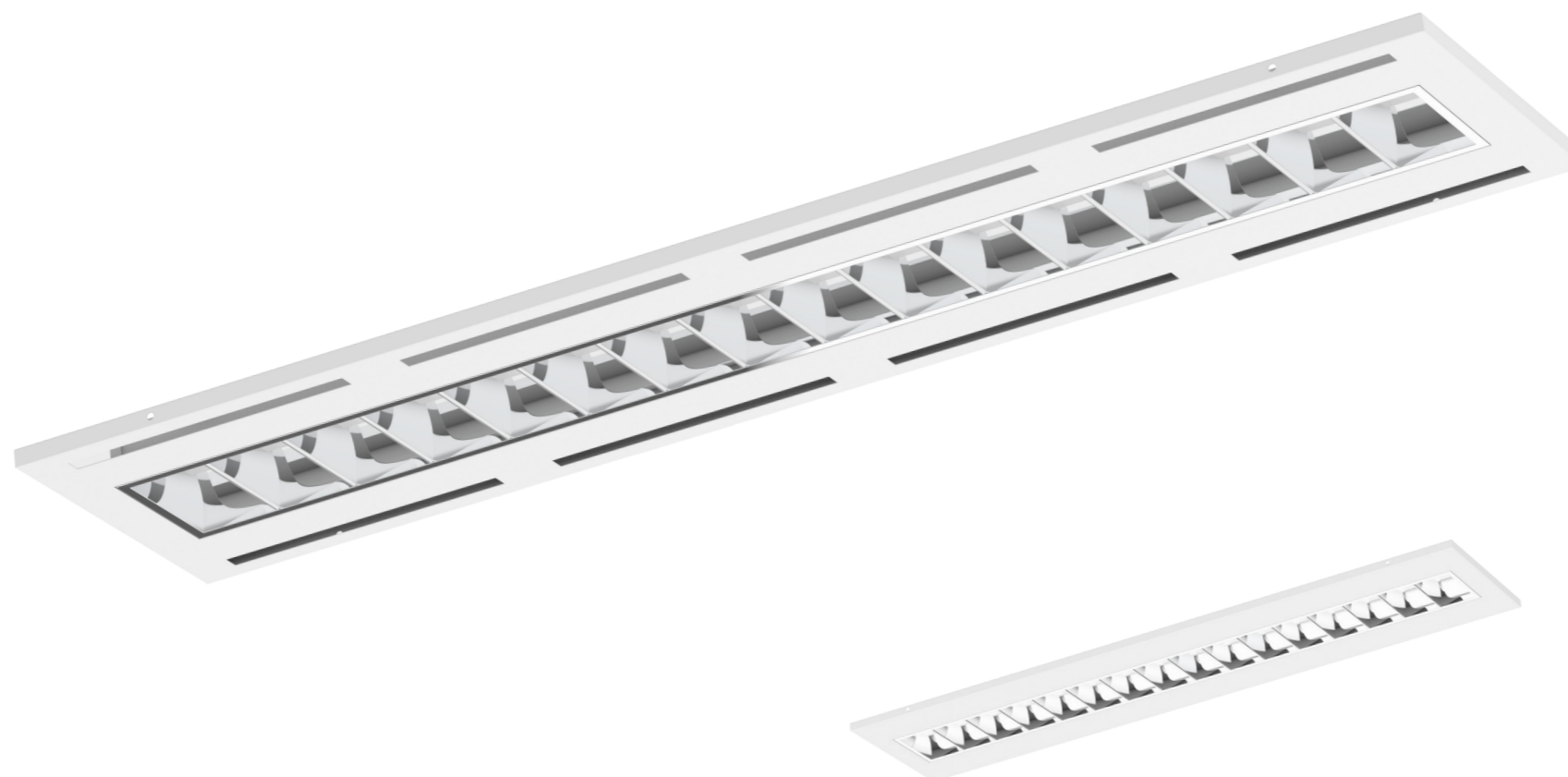
Entry / ECO

Standard / STD

Professional / PRO

ODM & OEM

Intelligent / INT



LED Panel Light  
PL-DE Series





## Introduction

This new panel light is a modular design with  $UGR < 19$ . It's adopted high lumen SMD LED light source, special optic design makes it a uniform and low glare visual experience. Prism diffuser module and Louver reflector module options, the luminous module can be replaced, which ensures the easy maintenance. Slot design option for a better ventilation and dissipation. This panel offers the ideal combination of stylish design and optimum performance for both task and general lighting.

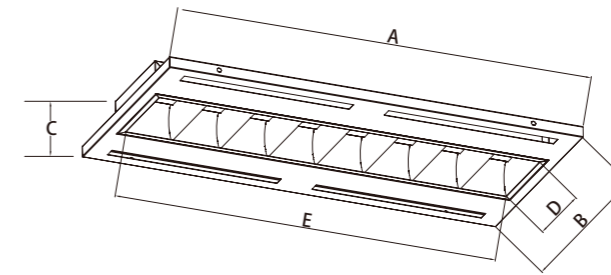
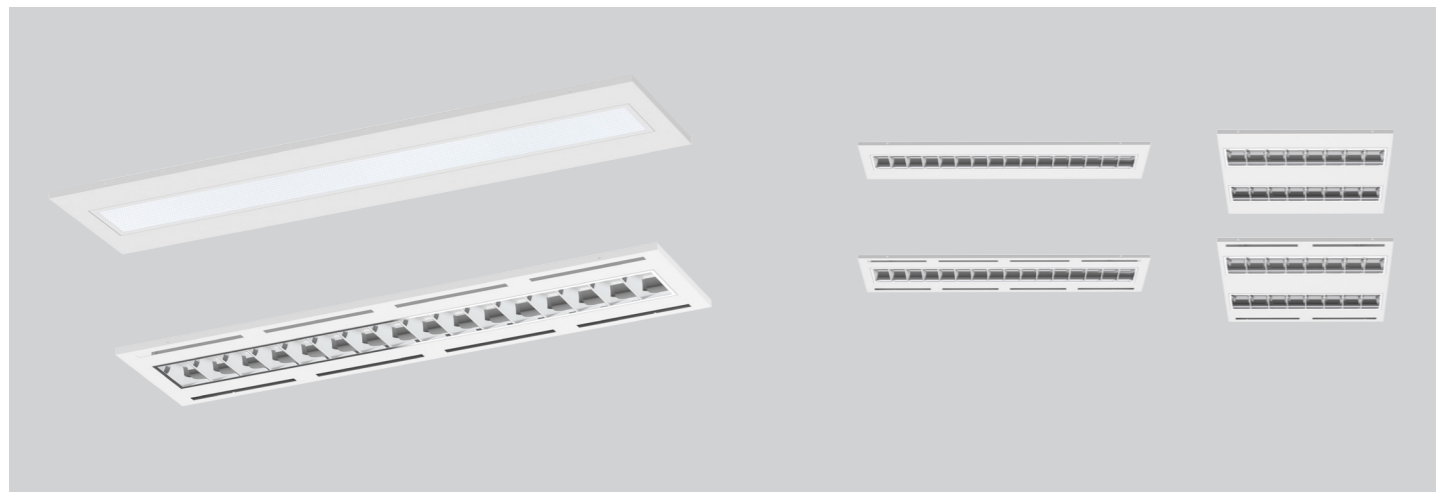
## Features

- Module replaceable, prism diffuser and louver reflector options.
- Slot version available for better ventilation and dissipation.
- Anti glare  $UGR < 19$ .
- External flicker free driver.
- Dimming: Traic dim, 0-10V, DALI

## Application Areas

Office & school lighting: office room, meeting room, class room etc. Commercial lighting: shopping mall, super market, retailer shops etc. Other situations: hospital, laboratory, dust-free workshop etc.





## Technical Data Sheet

Code No.	PL3060-13W-DE	PL6060-28W-DE	PL30120-28W-DE	PL40120-28W-DE	PL30150-40W-DE		
Dimension(mm)	292*592*48	592*592*48	292*1192*48	392*1192*48	292*1492*48		
Cutout (mm)	-						
Watt(W)	13W	28W		40W			
Rated Input Voltage(V)	AC230V						
Input Voltage(V)	AC220-240V						
LED Module Input	DC33-38V						
Light Source	SMD2835						
SDCM	<6						
CCT(K)	1-CCT: 3000K/4000K/5000K/5700K						
CCT Selection DIP Switch	-						
Luminous Flux (lm) ±5%	Non-DIM	1-CCT	1360-1495	3080-3360	3080-3360	3080-3360	4400-4800
			DIM	1170-1300	3000-3220	3000-3220	3000-3220
	Non-DIM	2-CCT	-				
			DIM	-			
CRI	≥80						
Beam Angle (°)	90°						
UGR	<19						
LED Driver	Built-out						
Dimming Option	Triac/Dali/0-10V						
Sensor	-						
Emergency Kits	-						
Electrical Class	Class I I						
Ingress Protection (IP Rating)	IP20						
Impact Resistance (IK Rating)	-						
Product Finishing(Base)	White RAL 9003						
Materials of Optics	Diffuser(PS)/Louver(PC cover+Aluminium reflector)						
Materials of Housing	Steel						
Lifetime (hr)	50,000h						
Glow wire test (°C)	650°C						
Operating Temp. (°C)	-10°C ~40°C						
Storage Temp. (°C)	-20°C ~65°C						
Installation	Recessed / Suspended						

## Measurement

Code	Dimension(mm)					Size(mm)	Product Weight (Kg)		Package weight (Kg)		Carton Size(cm)	Qty/CTN	20GP (pcs)	40HQ (pcs)
	A	B	C	D	E		N.W/PC	G.W/PC	N.W/CTN	G.W/CTN				
PL3060-13W-DE	592	292	48	110	544	592*292*48	2.1	2.55	10.2	11.5	69*36.5*38.5	4	1128	2664
PL6060-28W-DE	592	292	48	110	544	592*592*48	4.1	4.77	19.1	20.5	68.5*36.5*69.5	4	612	1428
PL30120-28W-DE	1192	292	48	110	1090	1192*292*48	3.85	4.62	18.5	19.7	129*36.5*38.5	4	608	1368
PL40120-28W-DE	1192	392	48	110	1090	1192*392*48	4.3	5.27	21.1	22.9	129*36.5*48.5	4	448	1080
PL30150-40W-DE	1492	292	48	110	1436	1492*292*48	4.86	5.67	22.6	24.5	159*36.5*38.5	4	488	1064

## Driver Datasheet (Non- Dimmable)

Total load wattage		13W	28W	40W
Output	Output Voltage range	DC30-40V		
	Rated output current	300mA	700mA	1000mA
	Line Regulation	±5%		
	Setup, Rise Time	≤0.5S		
	Flickering Index	<1% IEEE1789 NO RISK		
Input	Input Voltage	220VAC-240VAC		
	Rated Input Voltage(V)	230V		
	Frequency	50/60Hz		
	Input Current	0.08A	0.16A	0.23A
	Rated Input Current	0.18A	≤0.14A	0.2A
	Power Factor	0.9		
	THD	<20%@AC230V		
	Efficiency	88%		
	No load wattage	<1W		
	Protection	Short circuit protection	Pass	
Over voltage protection		Pass		
Over temperature protection		Pass		
Safety & EMC	Withstand voltage	I/P-O/P:3.75KVac, <5mA 60S;		
	Isolation Resistance	I/P-O/P: 500VDC, ≥100M Ω		
	Surge	L-N:0.5KV	IEC/EN61000-4-5 ( P<25W; L-N:500V); IEC/EN61000-4-5 ( P≥25w L-N:1KV)	
	EMC Emission	EN55015, EN61000-3-2		
EMC Immunity	EN61000-4-2,3,4,5,6,8,11; EN61547			

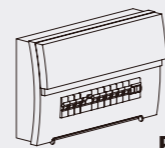
# Driver Datasheet (Triac Dimmable)

Total load wattage		13W	28W	40W
Output	Output Voltage range	DC30-40V		
	Rated output current	300mA	650mA	950mA
	Line Regulation	±5%		
	Setup, Rise Time	0.5S		
	Flickering Index	5.5%IEEE1789 Low Risk		
Input	Input Voltage	200-240VAC		
	Rated Input Voltage(V)	230V		
	Frequency	50HZ		
	Input Current	0.08A	0.16A	≤0.23A
	Rated Input Current	0.07A	≤0.14A	0.2A
	Power Factor	0.9		
	THD	<20%@AC230V		
	Efficiency	80%	84%	
	No load wattage	≤1W		
	Protection	Short circuit protection	Pass	
Over voltage protection		Pass		
Over temperature protection		Pass		
Safety & EMC	Withstand voltage	I/P-O/P:3.75KVac, <5mA 60S;		
	Isolation Resistance	I/P-O/P: 500VDC, ≥100M Ω		
	Surge	IEC/EN61000-4-5( P<25W; L-N:500V); IEC/EN61000-4-5 (P≥25w L-N:1KV)		
	EMC Emission	EN55015, EN61000-3-2		
	EMC Immunity	EN61000-4-2,3,4,5,6,8,11; EN61547		

## Installation Procedure

### WARNING

1. Switch off before installation.
2. Switch on only after complete installation and examination of the circuit.

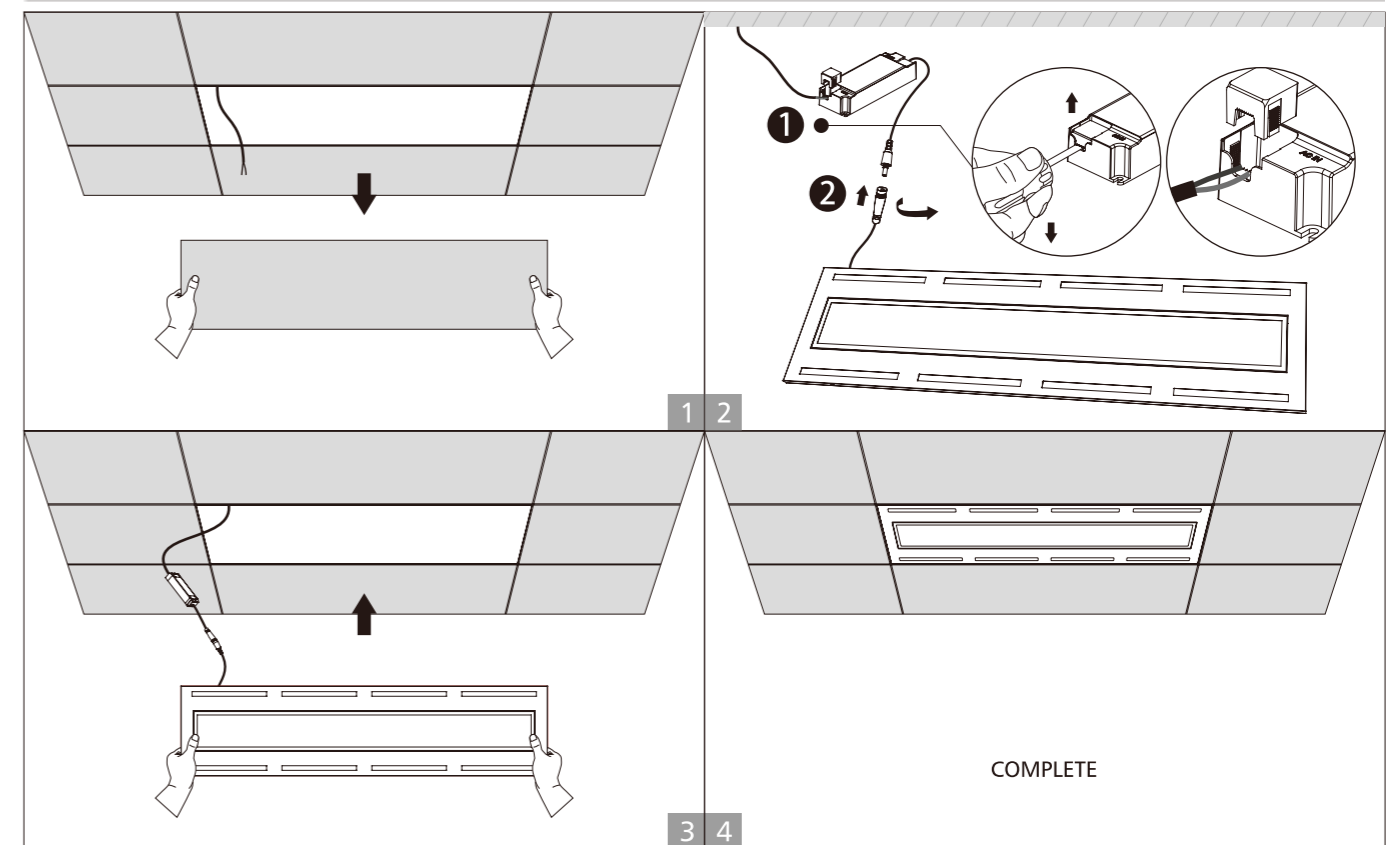


**Turn Off Power Supply**

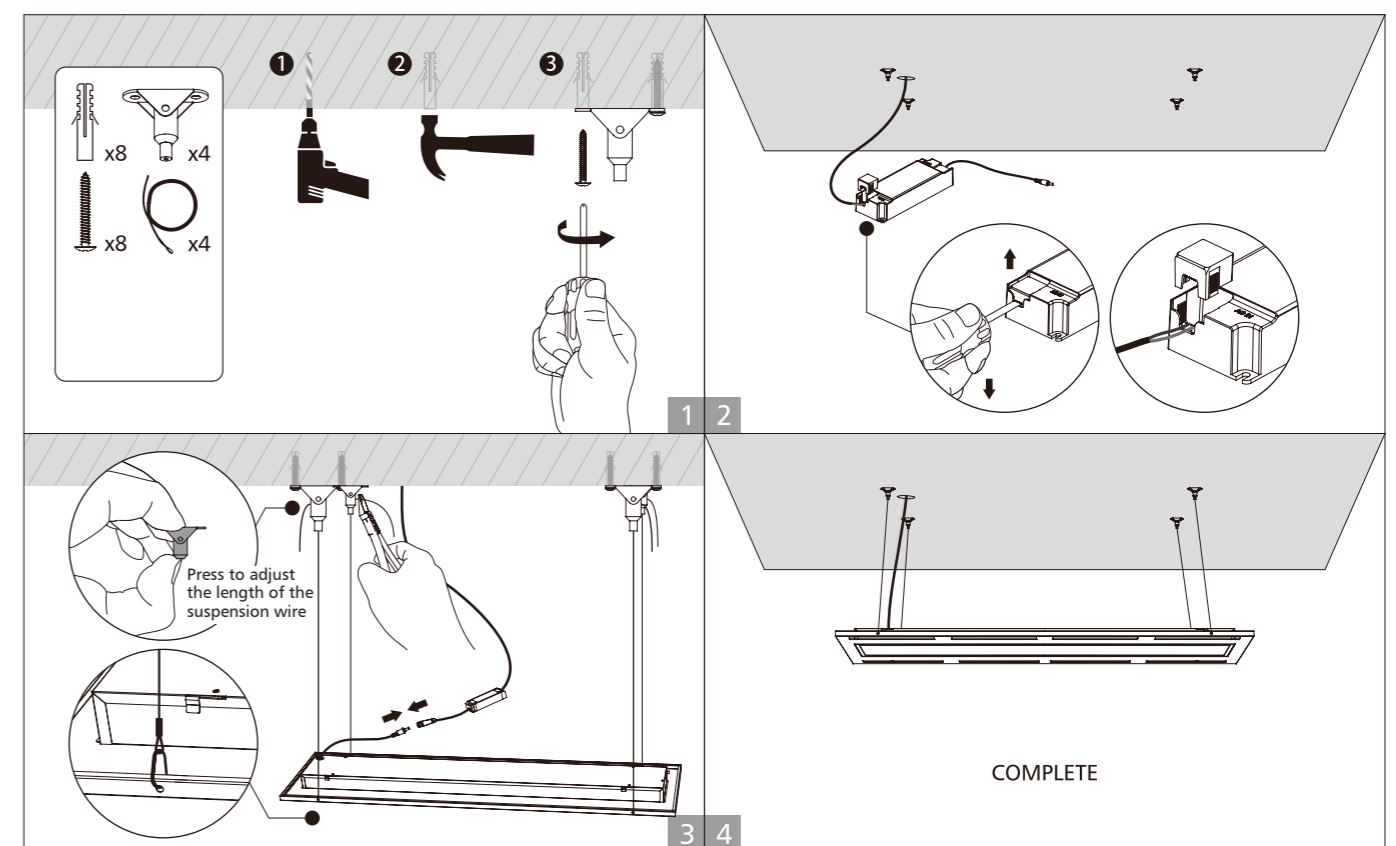
### CAUTION

Make sure that the mounting surface or structural member used for installation can support the weight of LED Panel.

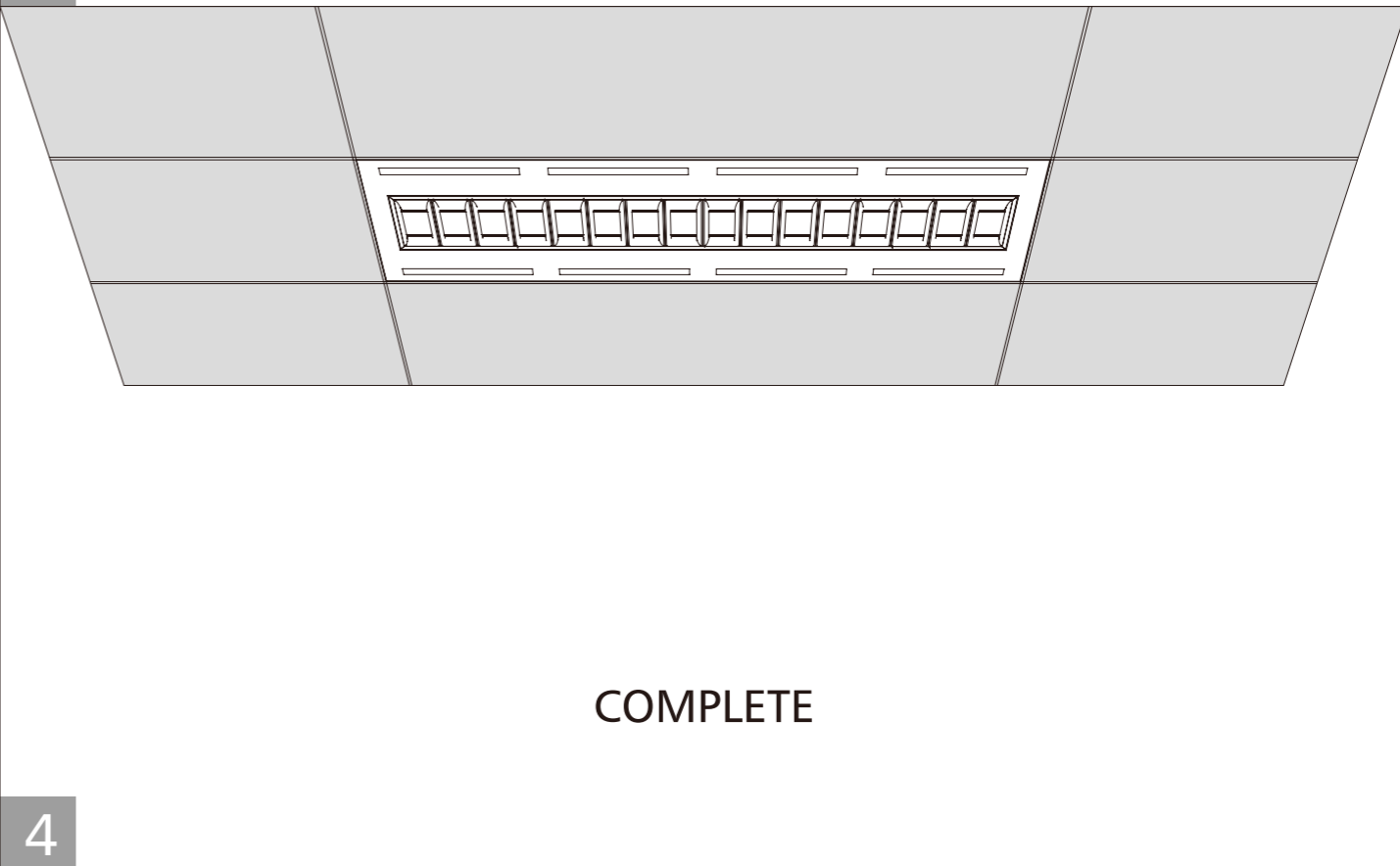
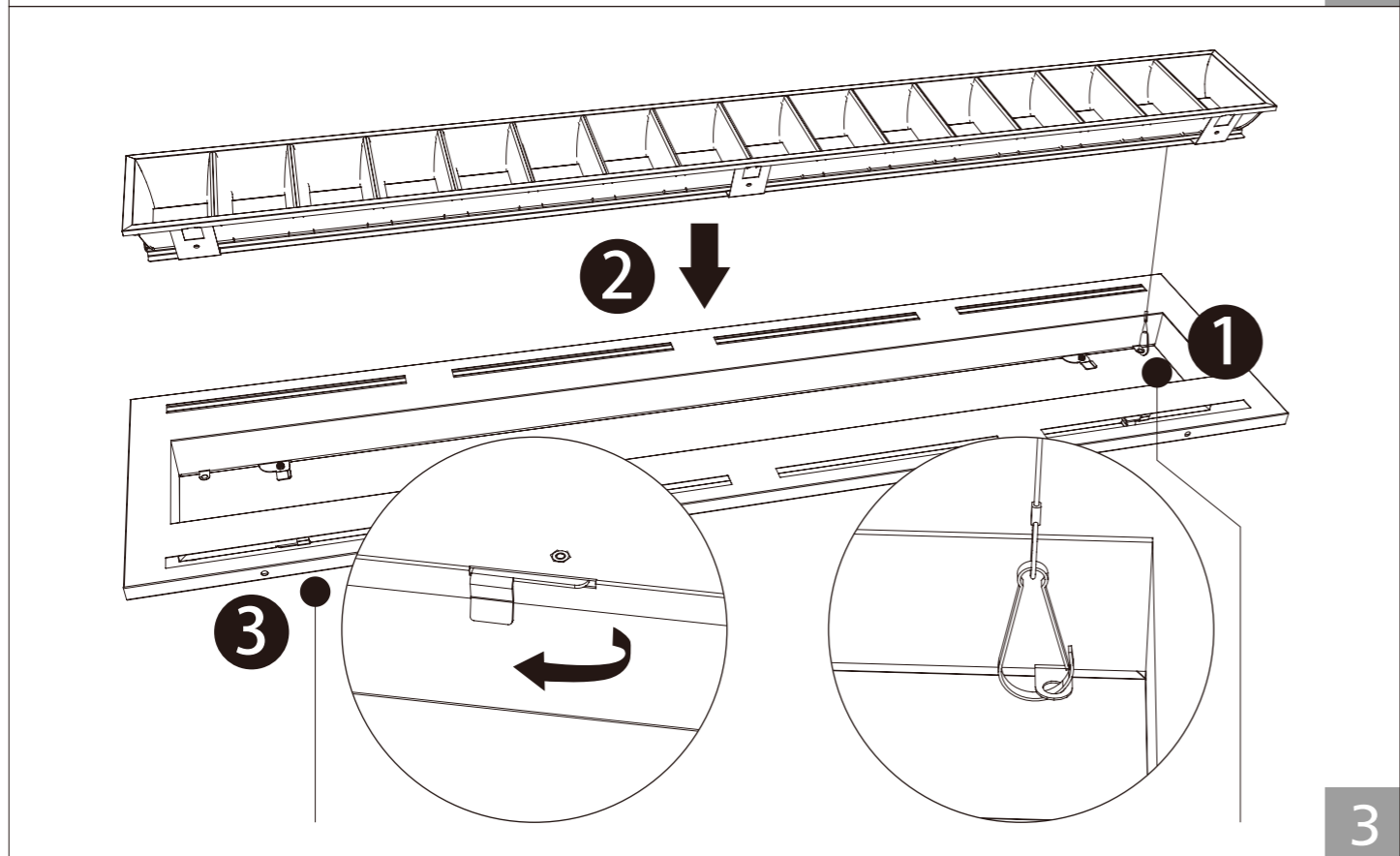
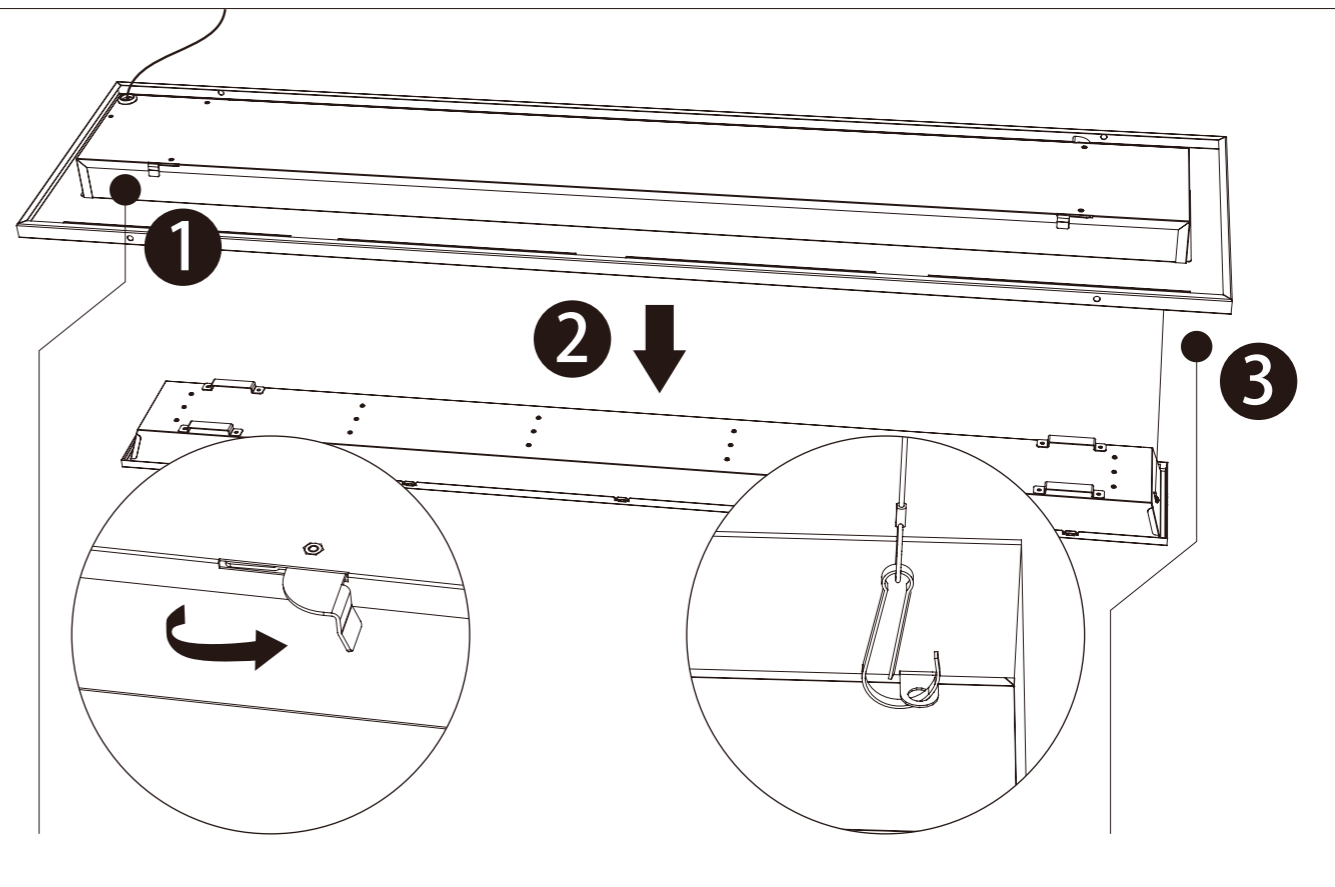
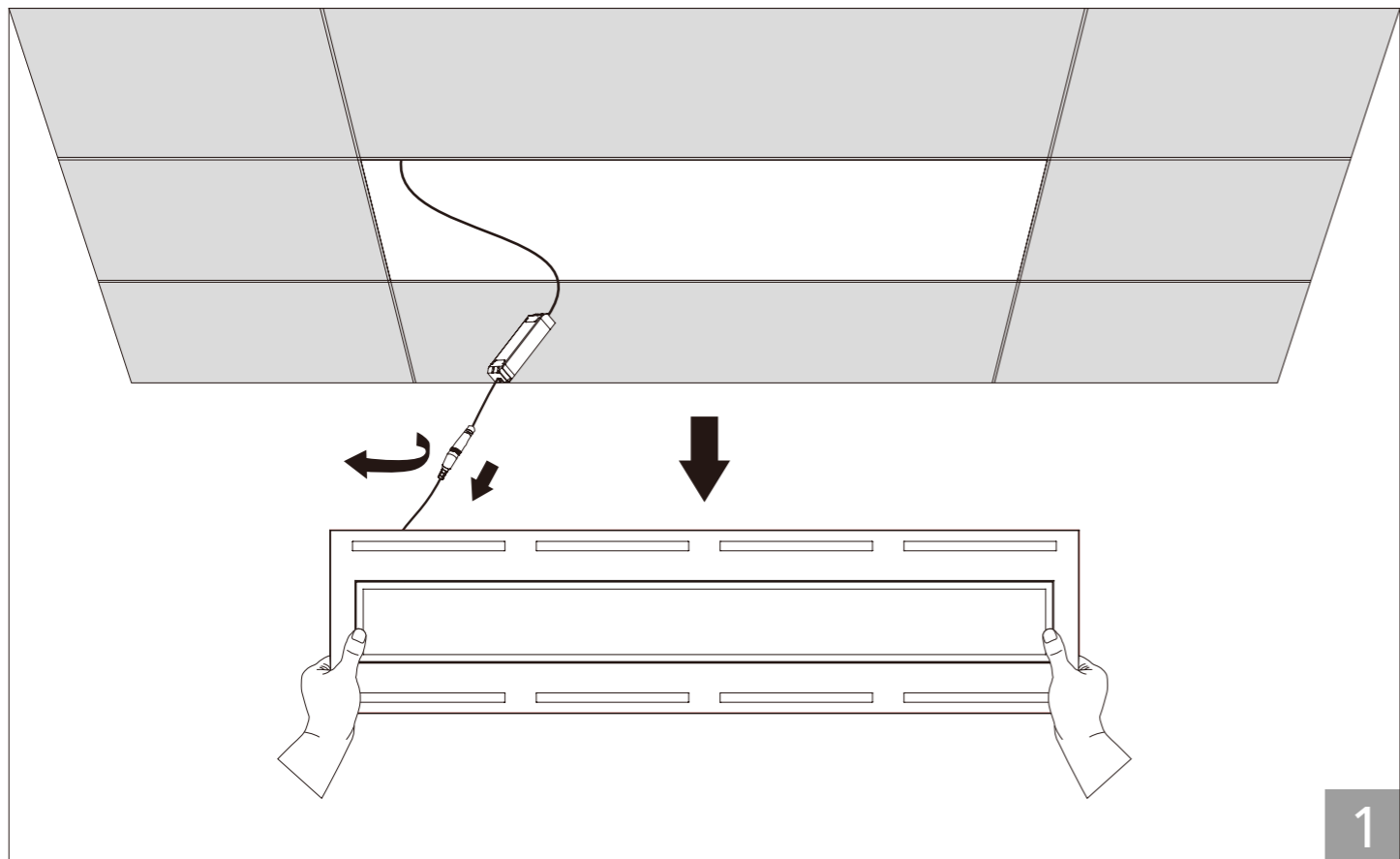
## Recessed installation



## Suspended installation



# ■ Replacement of module



**ECO**  
Specifications

**STD**  
Specifications

**PRO**  
Specifications

**ODM**  
Specifications

  
**INT**  
Intelligent

  
**interglo**  
Lighting

[www.interglo.com.au](http://www.interglo.com.au) [sales@interglo.com.au](mailto:sales@interglo.com.au) TEL: 03 9518 5112