

Entry / ECO

Standard / STD

Professional / PRO

ODM & OEM

Intelligent / INT

ECO
Specifications

LED Track Light

TL228 Series

interglo
Lighting



Introduction

This track light is an anti-glare design. High lumen COB chip and PMMA lens offer a uniform lighting output. AL6063 aluminum lamp body provides excellent heat dissipation. Special lens design reaches anti-glare effect and creates a comfortable visual experience. Multiple beam angle lens optional, modular lens design make a convenient maintenance. Easy installation, recreational for various application.

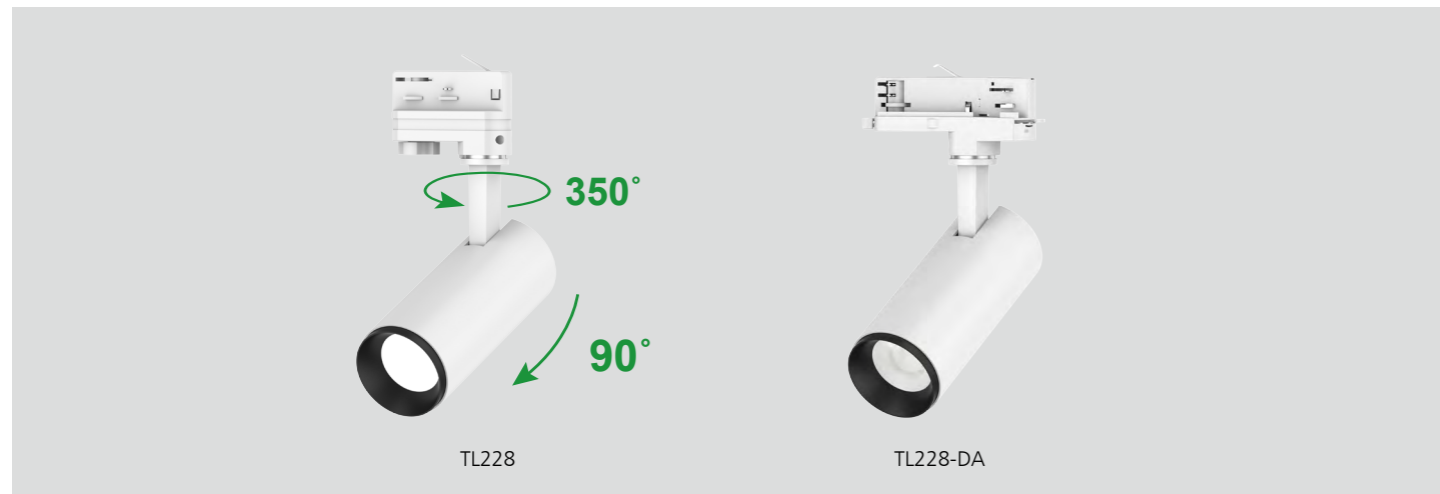
Features

- Anti-glare design.
- CRI80/90/97 available.
- Modular lens design: 24°/30°/45° for 10W and 15W, 24°/36°/60° for 20W and above.
- Flicker free internal driver.
- Dimming way: Non-dim, triac dim, DALI dim.

Application Areas

Applicable for residential lighting in bedroom, living room, corridor etc, also suitable for commercial lighting in office, hotel, restaurant etc.





Technical Data Sheet (Non-Dimmable)

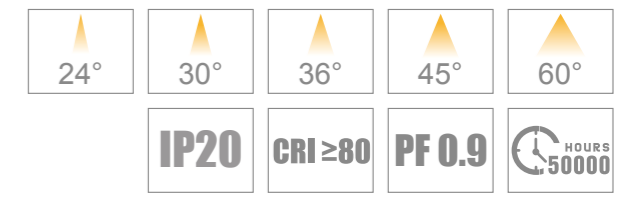
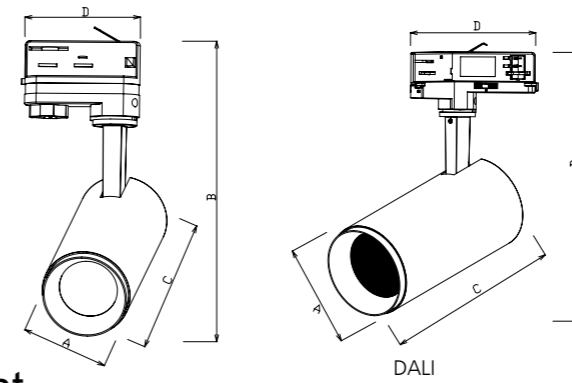
Code No.	TL228-10W	TL228-15W	TL228-20W	TL228-25W	TL228-30W	TL228-40W		
Dimension(mm)	Ø65*249		Ø85*269		Ø100*302			
Cutout (mm)	-							
Watt(W)	10W	15W	20W	25W	30W	40W		
Rated Input Voltage(V)	AC230V							
Input Voltage(V)	AC200—240V							
LED Module Input	-							
Light Source	COB							
SDCM	<6							
CCT(K)	1-CCT: 2700K/3000K/4000K/5000KK 3-CCT: 3000K + 3500K + 5000K							
CCT Selection DIP Switch	Yes							
Luminous Flux (lm) ±5%	Non-DIM	1-CCT	780-1100	1200-1500	1200-1500	2150-2700	2650-3050	3550-4200
			-					
	DIM	3-CCT	500-850	750-1200	1600-2000	1850-2350	2100-2650	-
			-					
CRI	80/90/97(1-CCT) /90(3-CCT)							
Beam Angle (°)	24°/30°/45°			24°/36°/60°				
UGR	-							
LED Driver	Built-in							
Dimming Option	No							
Sensor	No							
Emergency Kits	No							
Electrical Class	Class I							
Ingress Protection (IP Rating)	IP20							
Impact Resistance (IK Rating)	-							
Product Finishing(Base)	White RAL 9016/Black RAL9005							
Materials of Optics	PMMA							
Materials of Housing	PC/Aluminum							
Lifetime (hr)	5,000h							
Glow wire test (°C)	650°C							
Operating Temp. (°C)	-20°C ~40°C							
Storage Temp. (°C)	-20°C ~65°C							
Installation	Track							

Technical Data Sheet (Triac Dimmable)

Code No.	TL228-10W	TL228-15W	TL228-20W	TL228-25W	TL228-30W	
Dimension(mm)	Ø65*249	Ø85*269			Ø100*302	
Cutout (mm)	-					
Watt(W)	10W	15W	20W	25W	30W	
Rated Input Voltage(V)	AC230V					
Input Voltage(V)	AC200-240V					
LED Module Input	-					
Light Source	COB					
SDCM	<6					
CCT(K)	1-CCT: 2700K/3000K/4000K/5000KK 3-CCT: 3000K + 3500K + 5000K					
CCT Selection DIP Switch	Yes					
Luminous Flux (lm) ±5%	Non-DIM	1-CCT	-			
			750-1050	1100-1400	1750-2150	2000-2600
	DIM	3-CCT	-			
			500-800	700-1100	1500-1900	1750-2200
CRI	80/90/97 (1-CCT) /90 (3-CCT)					
Beam Angle (°)	24°/30°/45°		24°/36°/60°			
UGR	-					
LED Driver	Built-in					
Dimming Option	Triac					
Sensor	No					
Emergency Kits	No					
Electrical Class	Class I					
Ingress Protection (IP Rating)	IP20					
Impact Resistance (IK Rating)	-					
Product Finishing(Base)	White RAL 9016/Black RAL9005					
Materials of Optics	PMMA					
Materials of Housing	PC/Aluminum					
Lifetime (hr)	5,000h					
Glow wire test (°C)	650°C					
Operating Temp. (°C)	-20°C ~40°C					
Storage Temp. (°C)	-20°C ~65°C					
Installation	Track					

Technical Data Sheet (DALI Dimmable)

Code No.	TL228-10W	TL228-15W	TL228-20W	TL228-25W	TL228-30W
Dimension(mm)	Ø65*249		Ø85*269	Ø100*302	
Cutout (mm)	-				
Watt(W)	10W	15W	20W	25W	30W
Rated Input Voltage(V)	AC230V				
Input Voltage(V)	AC200-240V				
LED Module Input	-				
Light Source	COB				
SDCM	<6				
CCT(K)	1-CCT: 2700K/3000K/4000K/5000K				
CCT Selection DIP Switch	NO				
Luminous Flux (lm) ±5%	Non-DIM	1-CCT	-		
	DIM		700-1150	1100-1650	1850-2400
	Non-DIM	3-CCT	-		
	DIM		-		
CRI	80(90/97 optional)				
Beam Angle (°)	24°/30°/45°		24°/36°/60°		
UGR	-				
LED Driver	Built-in				
Dimming Option	DALI				
Sensor	No				
Emergency Kits	No				
Electrical Class	Class I				
Ingress Protection (IP Rating)	IP20				
Impact Resistance (IK Rating)	-				
Product Finishing(Base)	White RAL 9016/Black RAL9005				
Materials of Optics	PMMA				
Materials of Housing	PC/Aluminum				
Lifetime (hr)	5,000h				
Glow wire test (°C)	650°C				
Operating Temp. (°C)	-20°C ~40°C				
Storage Temp. (°C)	-20°C ~65°C				
Installation	Track				



Measurement

Code	Dimension(mm)				Size(mm)	Product Weight (Kg)		Package weight (Kg)		Carton Size(cm)	Qty/CTN	20GP (pcs)	40HQ (pcs)
	A	B	C	D		N.W/PC	G.W/PC	N.W/CTN	G.W/CTN				
TL228-10W	Ø65	249	157	84	Ø65*249	0.55	0.65	6.6	8.6	50.5*27.0*38.5	12	6840	15768
TL228-15W	Ø65	249	157	84	Ø65*249	0.55	0.65	6.6	8.6	50.5*27.0*38.5	12	6840	15768
	Ø85	269	178	84	Ø85*269	0.82	0.92	9.9	11.9	50.5*27.0*38.5	12	6840	15768
TL228-20W	Ø85	269	178	84	Ø85*269	0.82	0.92	9.9	11.9	56.5*29.0*42.5	12	4800	11880
TL228-25W	Ø85	269	178	84	Ø85*269	0.82	0.92	9.9	11.9	56.5*29.0*42.5	12	4800	11880
TL228-30W	Ø100	302	211	84	Ø100*302	1.15	1.25	13.8	15.8	56.5*35.0*42.5	12	3840	9648
TL228-40W	Ø100	302	211	84	Ø100*302	1.15	1.25	13.8	15.8	56.5*35.0*42.5	12	3840	9648
TL228-10W-DA	Ø65	249	157	113	Ø65*249	0.52	0.62	6.2	8.2	42.5*30.0*38.5	12	7128	16272
TL228-15W-DA	Ø65	249	157	113	Ø65*249	0.52	0.62	6.2	8.2	42.5*30.0*38.5	12	7128	16272
DL228B-20W-DA	Ø85	269	178	113	Ø85*269	0.8	0.9	9.6	12.6	34.5*56.5*42.5	12	4140	10008
DL228B-25W-DA	Ø100	302	211	113	Ø100*302	1.2	1.3	14.4	16.4	34.5*56.5*42.5	12	4140	10008
DL228B-30W-DA	Ø100	302	211	113	Ø100*302	1.2	1.3	14.4	16.4	34.5*56.5*42.5	12	4140	10008

Driver Datasheet (Non-Dimmable)

Total load wattage		10W	15W	20W	25W	30W	40W
Output	Output Voltage range	DC30-40V					
	Rated output current	230mA	350mA	500mA	600mA	750mA	950mA
	Line Regulation	±5%					
	Setup, Rise Time	≤0.5S					
	Flickering Index	≤10%					
Input	Input Voltage	AC180-265V					
	Rated Input Voltage(V)	AC200-240V					
	Frequency	50/60Hz					
	Input Current	≤0.06A	≤0.08A	0.12A	0.15A	0.18A	0.25A
	Rated Input Current	≤0.05A	≤0.07A	0.11A	0.14A	0.17A	0.23A
	Power Factor	0.9					
	THD	<20% @230V					
	Efficiency	≥82%	≥85%	≥87%	≥87%	≥87%	≥87%
	No load wattage	<0.5W					
	Protection	Short circuit protection	Pass				
Over voltage protection		Pass					
Over temperature protection		Pass					
Safety & EMC	Withstand voltage	I/P-O/P:3.75KVac, <5mA 60S					
	Isolation Resistance	500VDC, ≥2M Ω					
	Surge	IEC/EN61000-4-5 (P<25W; L-N:500V)			IEC/EN61000-4-5 (P≥25w L-N:1KV)		
	EMC Emission	EN55015, EN61000-3-2					
EMC Immunity	EN61000-4-2,3,4,5,6,8,11; EN61547						

Driver Datasheet (Triac Dimmable)

Total load wattage		10W	15W	20W	25W	30W
Output	Output Voltage range	DC30-40V				
	Rated output current	220mA	350mA	480mA	580mA	700mA
	Line Regulation	±5%				
	Setup, Rise Time	≤0.5S				
	Flickering Index	≤10%				
Input	Input Voltage	AC200-240V				
	Rated Input Voltage(V)	AC230V				
	Frequency	50/60Hz				
	Input Current	≤0.06A	≤0.09A	0.12A	0.14A	0.17A
	Rated Input Current	≤0.05A	≤0.08A	0.11A	0.24A	0.15A
	Power Factor	0.9				
	THD	-	-	-	<20% @230V	<20% @230V
	Efficiency	≥78%	≥83%	≥84%	≥84%	≥85%
	No load wattage	<0.5W				
	Protection	Short circuit protection	Pass			
	Over voltage protection	Pass				
	Over temperature protection	Pass				
Safety &EMC	Withstand voltage	I/P-O/P:3.75kVac, <5mA 60S				
	Isolation Resistance	500VDC, ≥2M Ω				
	Surge	IEC/EN61000-4-5(P<25W; L-N:500V)			IEC/EN61000-4-5 (P≥25w L-N:1KV)	
	EMC Emission	EN55015, EN61000-3-2				
	EMC Immunity	EN61000-4-2,3,4,5,6,8,11; EN61547				

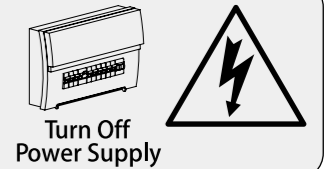
Driver Datasheet (DALI Dimmable)

Total load wattage		10W	15W	20W	25W	30W
Output	Output Voltage range	DC30-40V				
	Rated output current	230mA	350mA	500mA	600mA	700mA
	Line Regulation	±5%				
	Setup, Rise Time	<1s @230V				
	Flickering Index	1%(NO RISK)				
Input	Input Voltage	AC180-264V				
	Rated Input Voltage(V)	AC200-240V				
	Frequency	50/60Hz				
	Input Current	0.07	0.1A	0.13A	0.16A	0.19A
	Rated Input Current	0.06A	0.09A	0.12A	0.14A	0.17A
	Power Factor	0.9				
	THD	<20% @230V				
	Efficiency	≥83%	≥84%	≥85%	≥85%	≥85%
	No load wattage	<0.5w @230V				
	Protection	Short circuit protection	Pass			
	Over voltage protection	Pass				
	Over temperature protection	Pass				
Safety &EMC	Withstand voltage	I/P-O/P:3.75kVac, <5mA 60S				
	Isolation Resistance	500VDC, ≥2M Ω				
	Surge	IEC/EN61000-4-5(P<25W; L-N:500V)			IEC/EN61000-4-5 (P≥25w L-N:1KV)	
	EMC Emission	EN55015, EN61000-3-2				
	EMC Immunity	EN61000-4-2,3,4,5,6,8,11; EN61547				

Installation Procedure

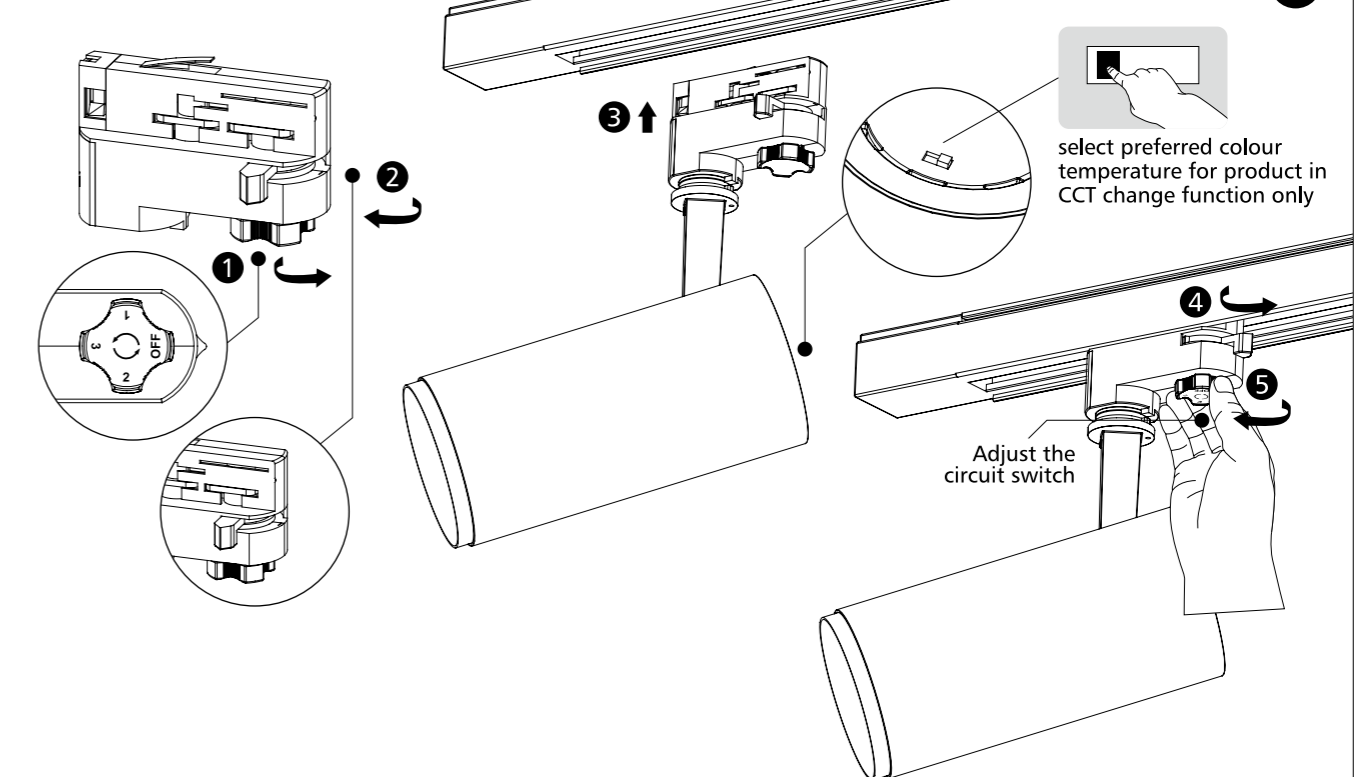
WARNING

1. Switch off power supply before installation / maintenance.
2. Switch on only after complete installation and examination of the circuit.
3. Professional electrician for installation and maintenance only.

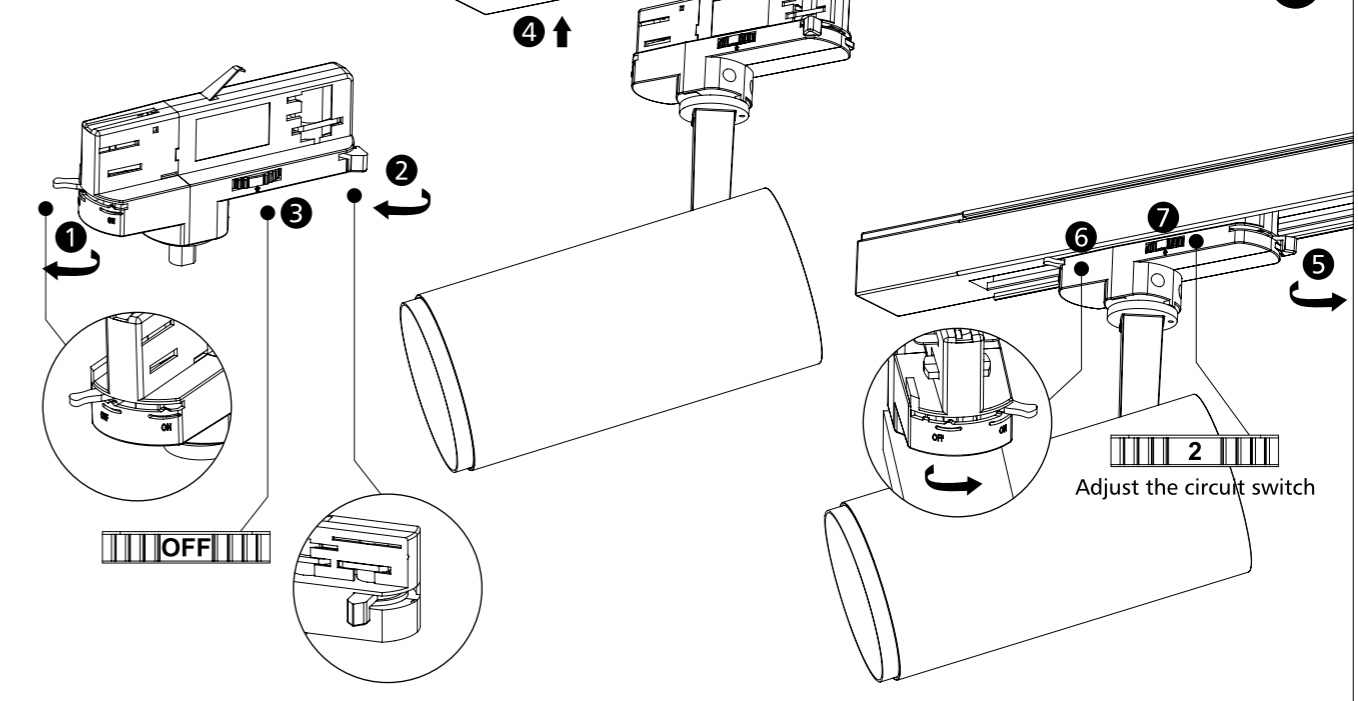


How to install ?

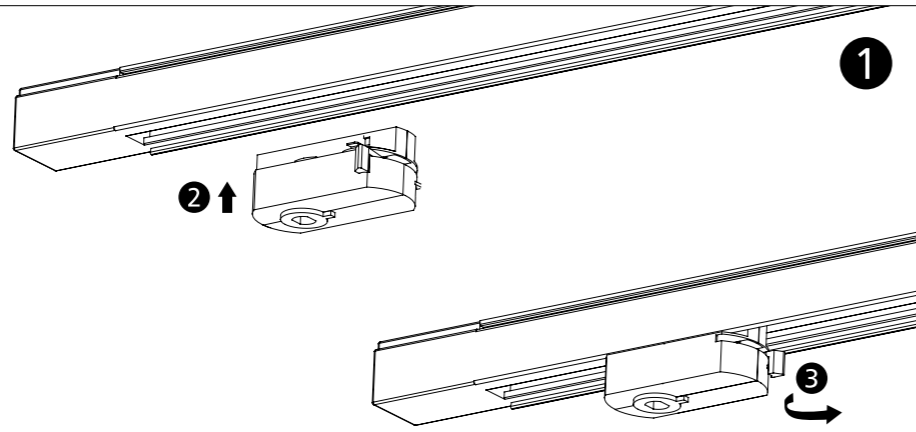
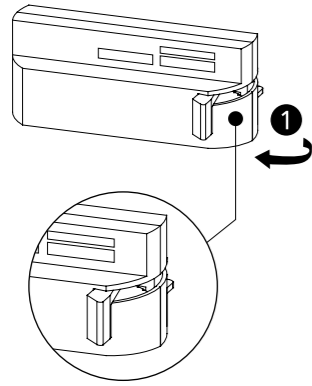
4-wires, 3-circuit



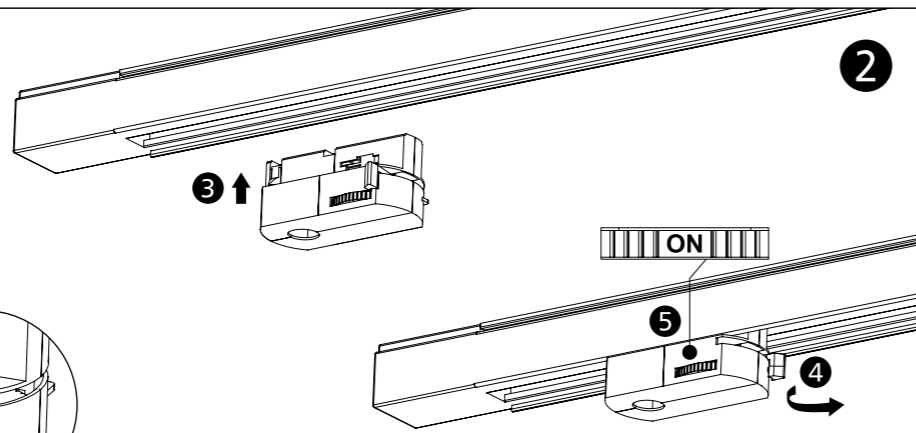
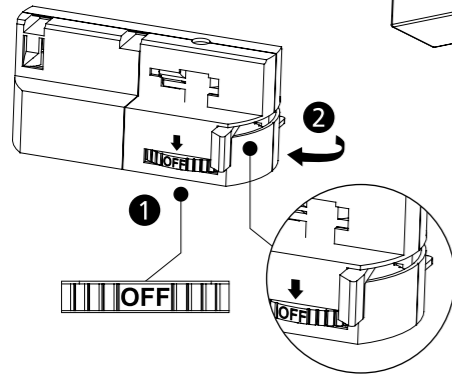
6-wires, 3-circuit (DALI)



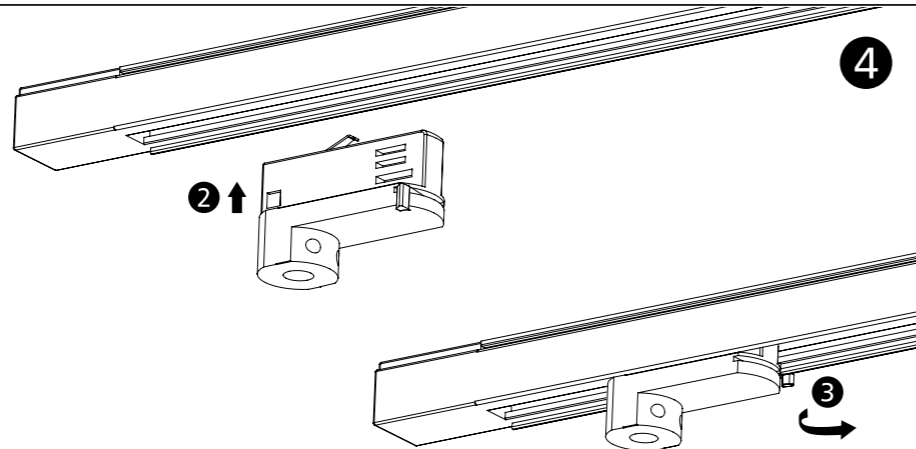
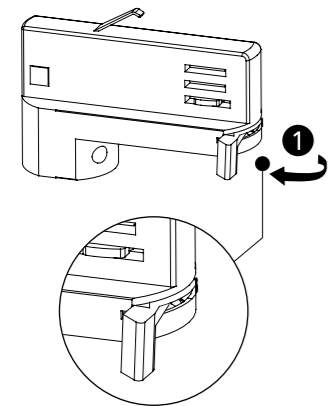
2-wires, 1-circuit



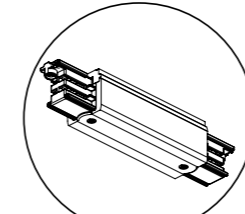
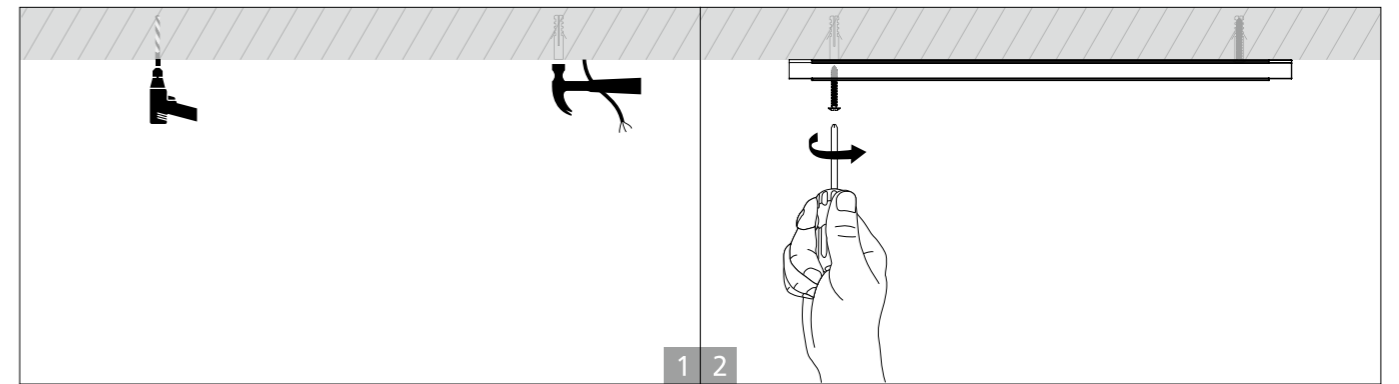
3-wires, 1-circuit



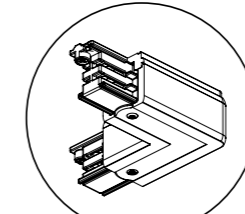
4-wires, 1-circuit (0-10V / DALI)



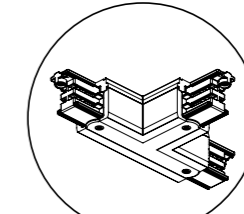
Installation for track



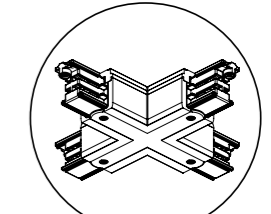
Straight "-"



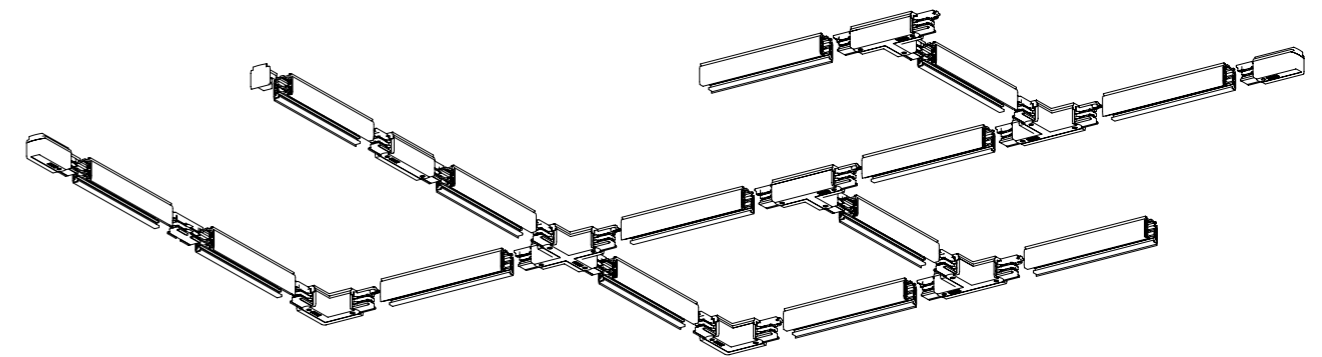
Corner "L"



"T" shape



Cross "+"



Note: Do not install in the place near heat source, or in corrosive gas environment.

ECO
Specifications

STD
Specifications

PRO
Specifications

ODM
Specifications


INT
Intelligent

interglo
Lighting

www.interglo.com.au sales@interglo.com.au TEL: 03 9518 5112