

LED Silicone Neon Flex Strip

S-type Neon instructions

Precautions

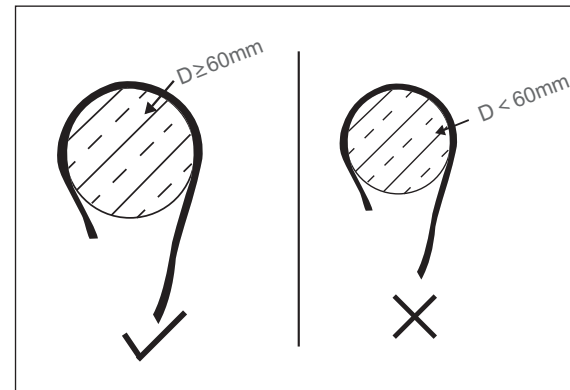
1. When the flexible linear lamp needs to be cut according to the installation length of the site, it can only be cut at the cutting mark;
2. The flexible linear lamp is driven by the 24VDC isolated power supply, and the ripple of the constant voltage source is less than 5%, and the resistance-capacitance step-down voltage cannot be used, and the non-isolated power source drives the flexible linear lamp;
3. When the flexible linear lamps are connected in series with each other, each time a segment is connected, the test light is turned on for a period of time to find out whether the positive and negative electrodes are connected incorrectly;
4. the installation process pay attention to the positive and negative power supply, do not connect wrong, the power supply and the product voltage are consistent, so as not to cause product damage;
5. The flexible linear lamps should be stored in a dry and sealed environment, it is recommended that the storage period should not be too long, working temperature: -20 ~ +45 °C, storage temperature 0 ~ 60 °C ;
6. The LED has unidirectional conductivity. If the power cable with AC/DC converter is used, after the power connection is completed, the power supply test should be performed first to confirm that the positive and negative terminals are connected correctly before putting into use;
7. In practical applications, the power supply should retain a 20% margin (it is recommended to use only 80% of the power) to ensure the life of the power supply driver;
8. Pay attention to the operation. Do not touch the AC power supply when the power is turned on to prevent electric shock.
9. To ensure the life and reliability of the flexible linear lamp, it is necessary to bend in the specified direction (the top and side bends are different) and bend in the arc with a radius of 60mm or more, as shown in the figure.

Cutting/installation tools:

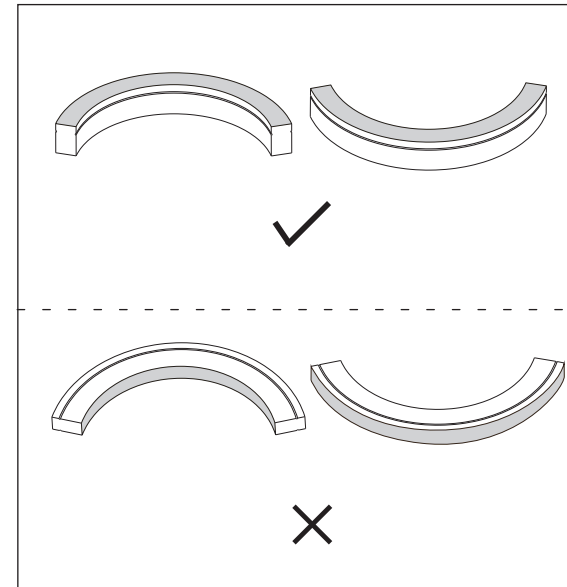
Knife (1pcs)
Electric iron (1pcs)
Cross screwdriver (1pcs)

Accessories: XS series Sidon special glue (1 bottle)
[Note: If you do not need to cut, just prepare a screwdriver]

1. Precautions for bending diameter



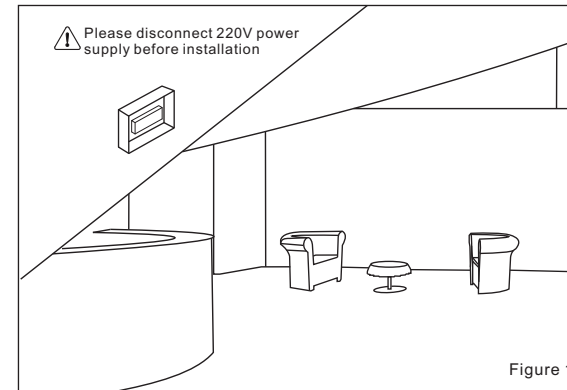
2. Precautions for bending direction



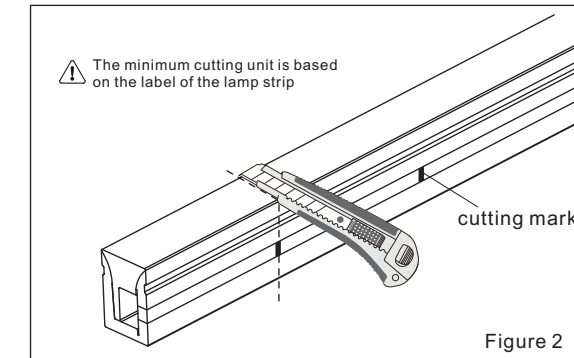
3. installation instructions:

[Note: The glue mentioned in the text is special silica gel glue]

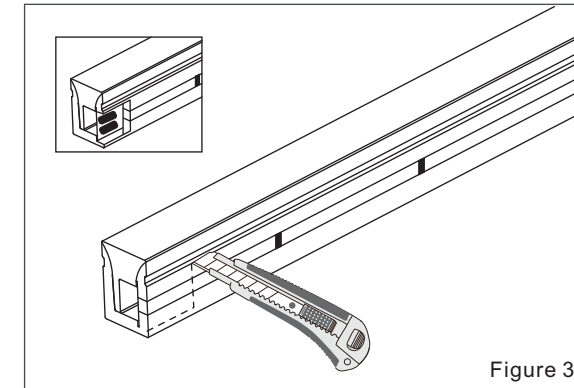
- (1) Install the power supply in a suitable position, as Figure 1:



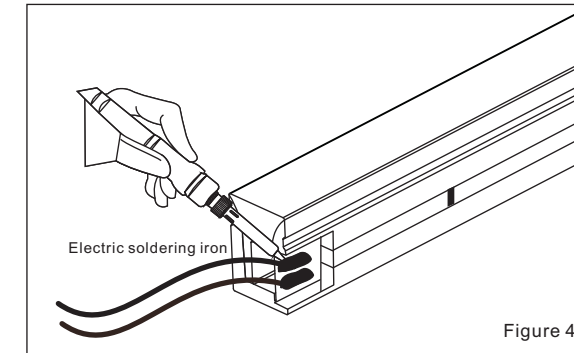
- (2) Cut the strip to the required size, as Figure 2:



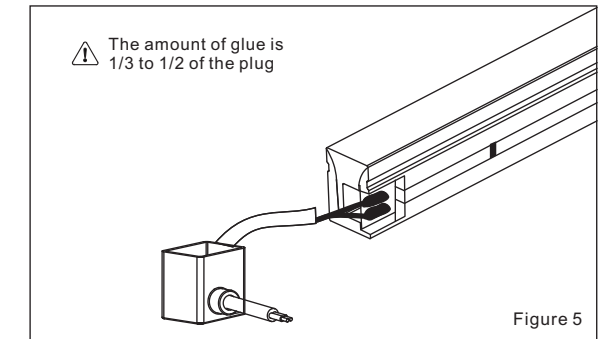
- (3) Expose the copper foil at one end of the strip (cutting the back side), as Figure 3:



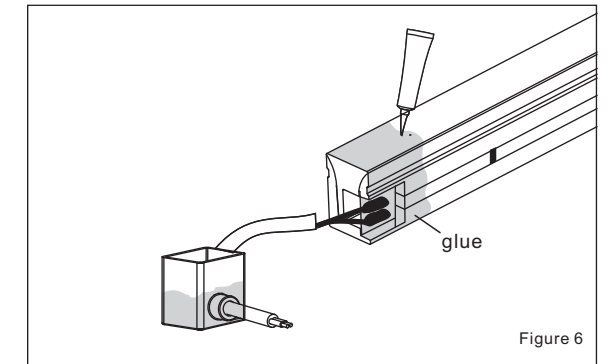
- (4) Connect the wire to the lamp strip (note the positive and negative poles), as Figure 4:



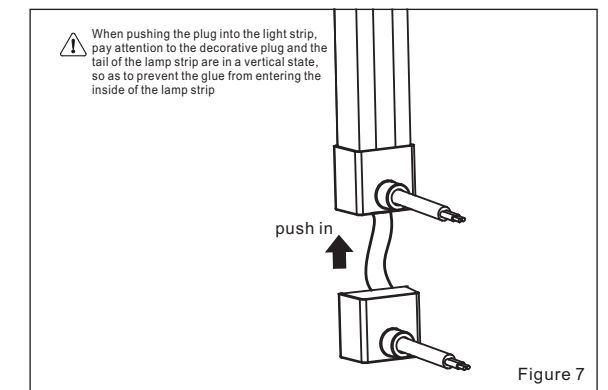
- (5) Insert the wire into the plug with hole and insert the glue into the plug, as Figure 5:



- (6) Apply a proper amount of glue around the plug, as Figure 6:



- (7) Push the plug into the strip, as Figure 7:



(8) Apply the filling glue around the tail of the strip and push the plug into it, as Figure 8:

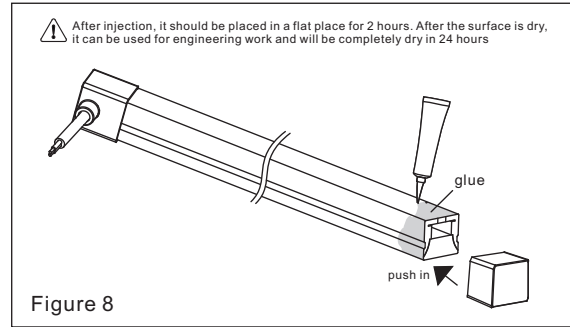


Figure 8

(9) Screw the clip or carrier in the installed position as Figure 9:

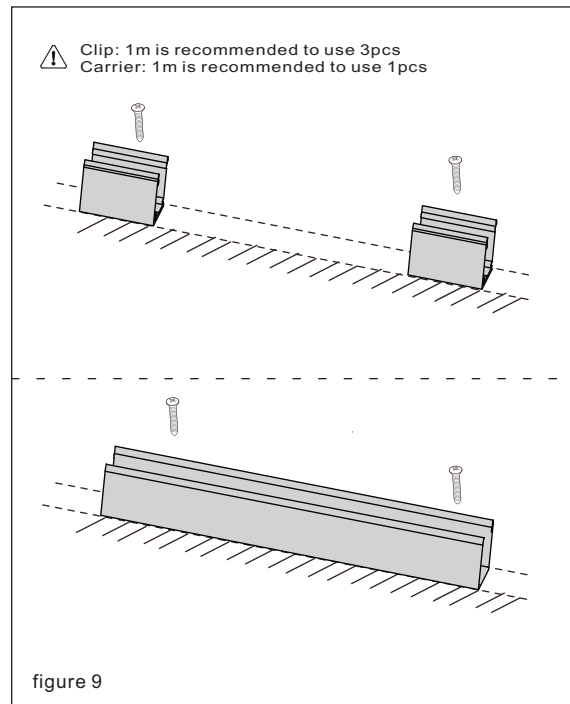


figure 9

(10) Install the strip in the clip or carrier as Figure 10:

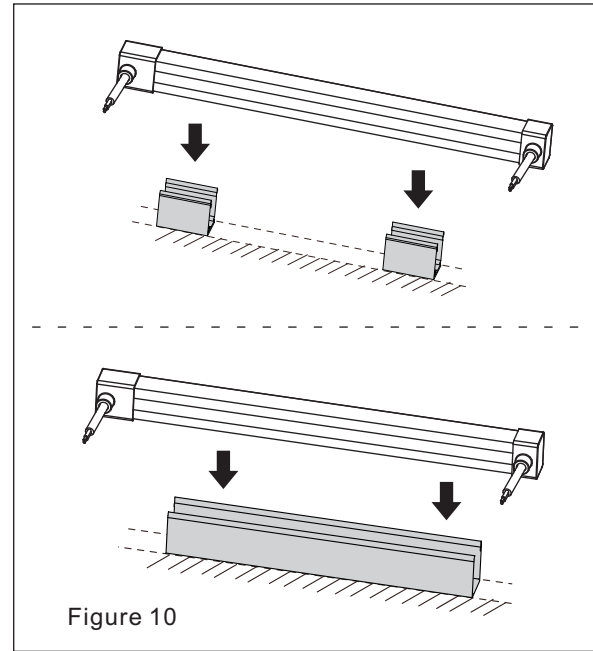


Figure 10

(11) Connect the strip to the power supply (note the positive and negative poles) as Figure 11:

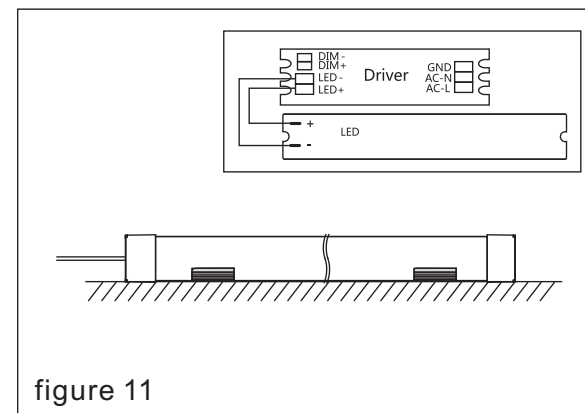


figure 11

(12) Complete the installation, as Figure 12:

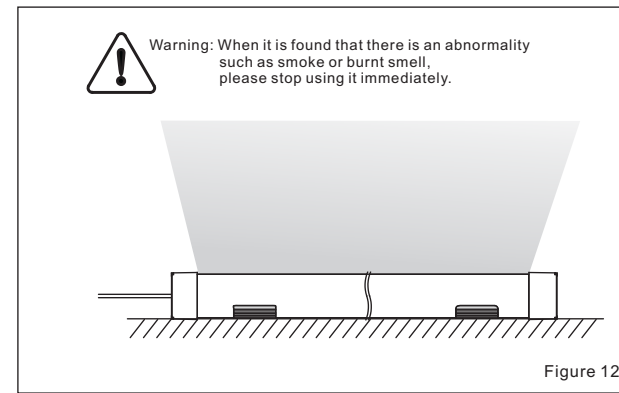
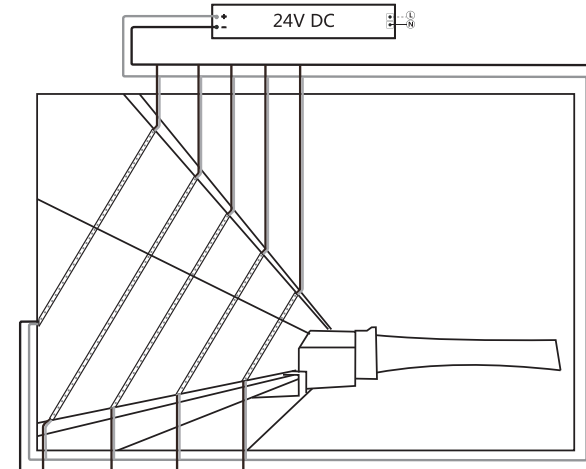


Figure 12

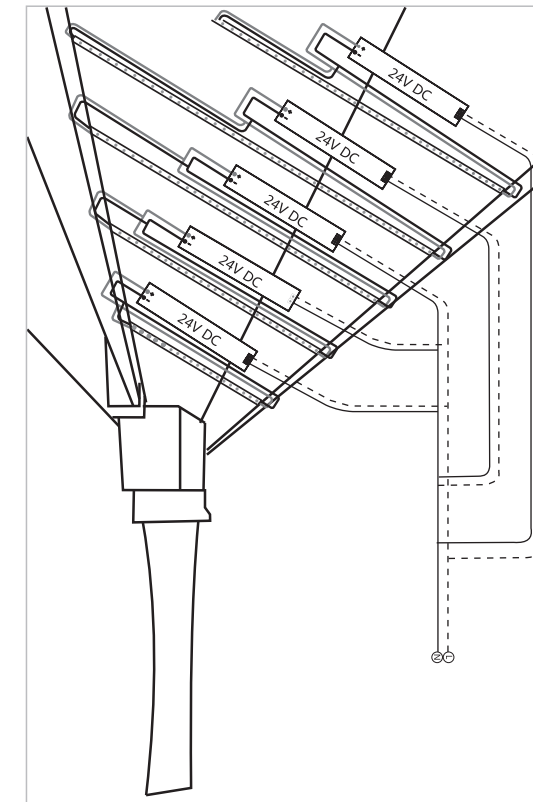
Drive power usage:

1. The connection between a power supply and multiple strip lights

Warning: When constant voltage is connected, the lamp has a wire $L < 5m$, and the lamp has two ends $L < 10m$



2. Connection of multiple power sources and multiple light strips



Product Warranty Description

1. Under normal conditions of use, the product warranty is five years, during the warranty period, the product is issued, If the fault is caused by the company's inspection, it will be replaced free of charge.

2. One of the following conditions is not covered by the warranty:

- (1) Failure to use the product in accordance with the instructions.
- (2) The situation in which the user disassembles the internal parts and improperly damages the product;
- (3) The product is seriously damaged or deformed.