

Entry /ECO

Standard /STD

Professional/PRO

ODM & OEM

Intelligent/INT



LED Panel Light  
PL-CK Series







## Introduction

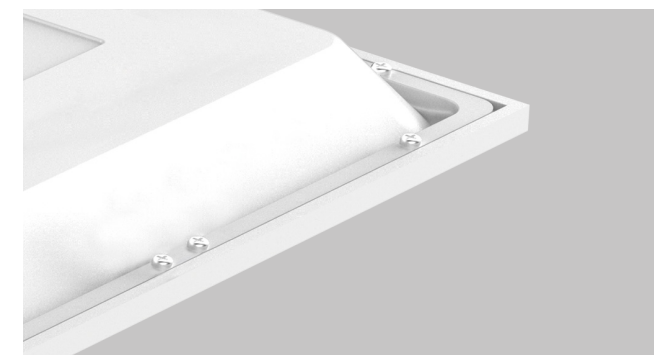
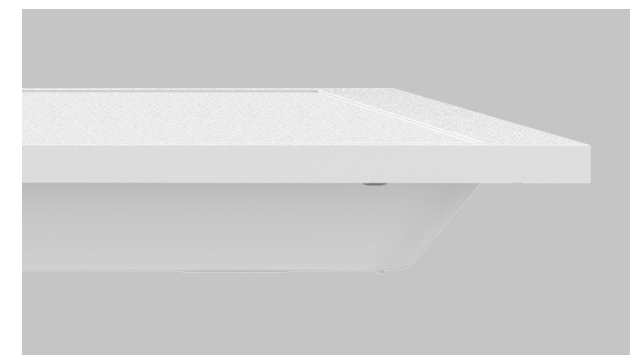
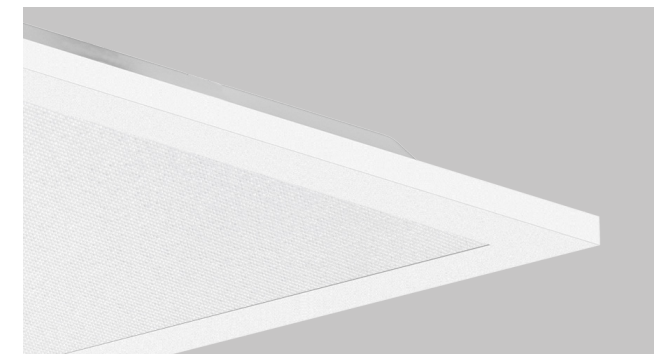
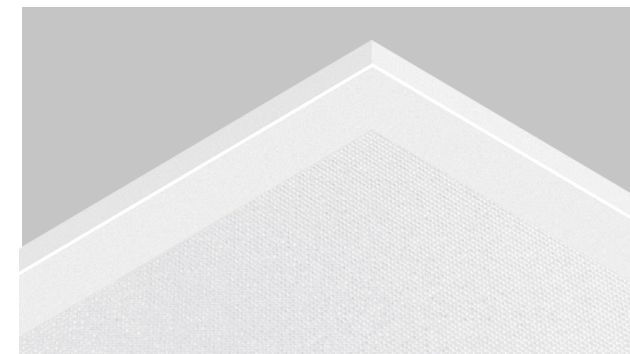
PL-CK LED panel is a direct lighting product with high lumen efficiency. It makes full use of all light and is more cost effective compared with side lighting LED panel light. Adopt optical lens to offer a uniform light effect. With integrated iron plate, providing great thermal management.

## Features

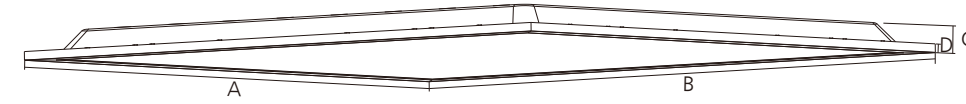
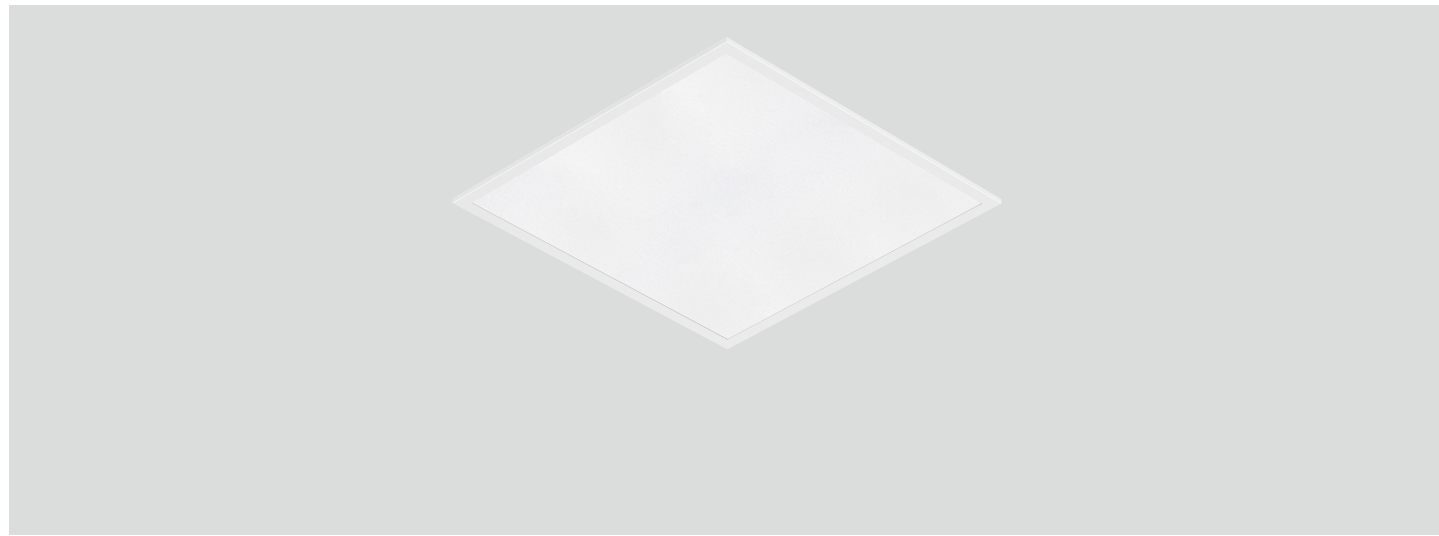
- Uniform light effect with optic lens.
- High lumen efficiency, 130lm/W.
- Integrated iron plate design provides excellent thermal management.
- Concise design offers high cost performance.
- Anti-glare design, UGR < 19
- Built-out driver.
- Installation: Surface mount, Pendant, Recessed.

## Application Areas

Office & school lighting: office room, meeting room, class room etc. Commercial lighting: shopping mall, super market, retailer shops etc. Other situations: hospital, laboratory, dust-free workshop etc.







## Technical Data Sheet

Code No.	PL6060-30W-CK	PL6262-30W-CK	PL30120-30W-CK	PL60120-50W-CK		
Dimension(mm)	595*595*32	620*620*32	295*1195*32	595*1195*32		
Cutout (mm)	-					
Watt(W)	30W	30W	30W	50W		
Rated Input Voltage(V)	AC230					
Input Voltage(V)	AC200-240V					
LED Module Input	33-38V DC 800mA CC	33-38V DC 800mA CC	33-38V DC 800mA CC	33-38V DC 1300mA CC		
Light Source	SMD					
SDCM	-					
CCT(K)	1-CCT: 3000K/4000K/5000K/5700K   3-CCT: 3000K+4000K+5700K					
CCT Selection DIP Switch	Yes					
Luminous Flux (lm) ±5%	Non-DIM	1-CCT	3600-4000	3600-4000	3600-4000	6000-7000
			DIM	3450-4000	3450-4000	3450-4000
	Non-DIM	3-CCT	3600-4000	3600-4000	3600-4000	6000-7000
			DIM	3450-4000	3450-4000	3450-4000
CRI	≥80					
Beam Angle (°)	90°					
UGR	<19					
LED Driver	Built-out					
Dimming Option	Triac / 0-10V / DALI					
Sensor	-					
Emergency Kits	-					
Electrical Class	Class II					
Ingress Protection (IP Rating)	IP40					
Impact Resistance (IK Rating)	-					
Product Finishing(Base)	White					
Materials of Optics	PMMA(Lens)+PS(Diffuser)					
Materials of Housing	Aluminum(Frame)					
Lifetime (hr)	50,000h					
Glow wire test (°C)	650°C					
Operating Temp. (°C)	-10°C ~40°C					
Storage Temp. (°C)	-20°C ~65°C					
Installation	Surface mount/ Pendant/ Recessed					

## Measurement

Code	Dimension(mm)				Size(mm)	Product Weight (Kg)		Package weight (Kg)		Carton Size(cm)	Qty/CTN	20GP (pcs)	40HQ (pcs)
	A	B	C	D		N.W/PC	G.W/PC	N.W/CTN	G.W/CTN				
6060	595	595	32	9	595*595*32	1.9	2.31	11.4	14.8	66.5*24*62(1PCS/inner box)	6	1584	3936
							4.35	11.4	14.4	66*30*67.5(2PCS/inner box)	6	1170	2682
6262	620	620	32	9	620*620*32	2.35	2.81	11.8	18.1	69*24*64.5(1PCS/inner box)	6	1512	3792
							5.29	14.1	17.1	68.5*30*70(2PCS/inner box)	6	1134	2610
30120	295	1195	32	9	295*1195*32	2.05	2.49	12.3	16.1	126.5*24*32(1PCS/inner box)	6	1638	3984
							4.68	12.3	15.4	126*30*37.5(2PCS/inner box)	6	1116	2664
60120	595	1195	32	9	595*1195*32	3.9	4.65	15.6	20.3	126.5*16.5*62(1PCS/inner box)	4	780	1952
							8.8	15.6	19.3	126*20.5*67.5(2PCS/inner box)	4	576	1328

## Driver Datasheet (Non-Dimmable)

Total load wattage		30W	50W
Output	Output Voltage range	DC30-42V	
	Rated output current	800mA	1300mA
	Line Regulation	±5%	
	Setup, Rise Time	≤1S	
Input	Flickering Index	-	
	Input Voltage	AC200-240V	
	Rated Input Voltage(V)	AC230V	
	Frequency	50/60Hz	
	Input Current	≤0.17A	≤0.28A
	Rated Input Current	≤0.15A	≤0.25A
	Power Factor	≥0.9	
	THD	<20% @230V	
	Efficiency	≥88%	≥88%
	No load wattage	<0.5W	
Protection	Short circuit protection	Pass	
	Over voltage protection	Pass	
	Over temperature protection	Pass	
Safety & EMC	Withstand voltage	I/P-O/P:3.75KVac, <5mA 60S; I/P-FG:1.6KVac, <5mA 60S; O/P-FG:0.5KVac, <5mA 60S	
	Isolation Resistance	I/P-O/P: 500VDC, ≥100M Ω	
	Surge	IEC/EN61000-4-5( P<25W; L-N:500V, L/N-PE:1KV);IEC/EN61000-4-5 (P≥25w L-N:1KV, L/N-PE:2KV)	
	EMC Emission	EN55015, EN61000-3-2	
EMC Immunity	EN61000-4-2,3,4,5,6,8,11; EN61547		

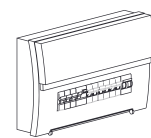
# Driver Datasheet (Triac Dimmable)

Total load wattage		30W	50W
Output	Output Voltage range	DC30-42V	
	Rated output current	800mA	1300mA
	Line Regulation	±5%	
	Setup, Rise Time	≤1S	
	Flickering Index	-	
Input	Input Voltage	AC200-240V	
	Rated Input Voltage(V)	AC230V	
	Frequency	50Hz	
	Input Current	≤0.17A	≤0.28A
	Rated Input Current	≤0.15A	≤0.25A
	Power Factor	≥0.9	
	THD	<20% @230V	
	Efficiency	≥85%	≥85%
	No load wattage	<1W	
Protection	Short circuit protection	Pass	
	Over voltage protection	Pass	
	Over temperature protection	Pass	
Safety &EMC	Withstand voltage	I/P-O/P:3.75KVac,<5mA 60S; I/P-FG:1.6KVac,<5mA 60S; O/P-FG:0.5KVac,<5mA 60S	
	Isolation Resistance	I/P-O/P: 500VDC, ≥100M Ω	
	Surge	IEC/EN61000-4-5( P<25W; L-N:500V, L/N-PE:1KV);IEC/EN61000-4-5 (P≥25w L-N:1KV, L/N-PE:2KV)	
	EMC Emission	EN55015, EN61000-3-2	
	EMC Immunity	EN61000-4-2,3,4,5,6,8,11; EN61547	

## Installation Procedure

### WARNING ⚡

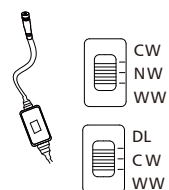
1. Switch off before installation.
2. Switch on only after complete installation and examination of the circuit.
3. Professional electrician for installation and maintenance only.



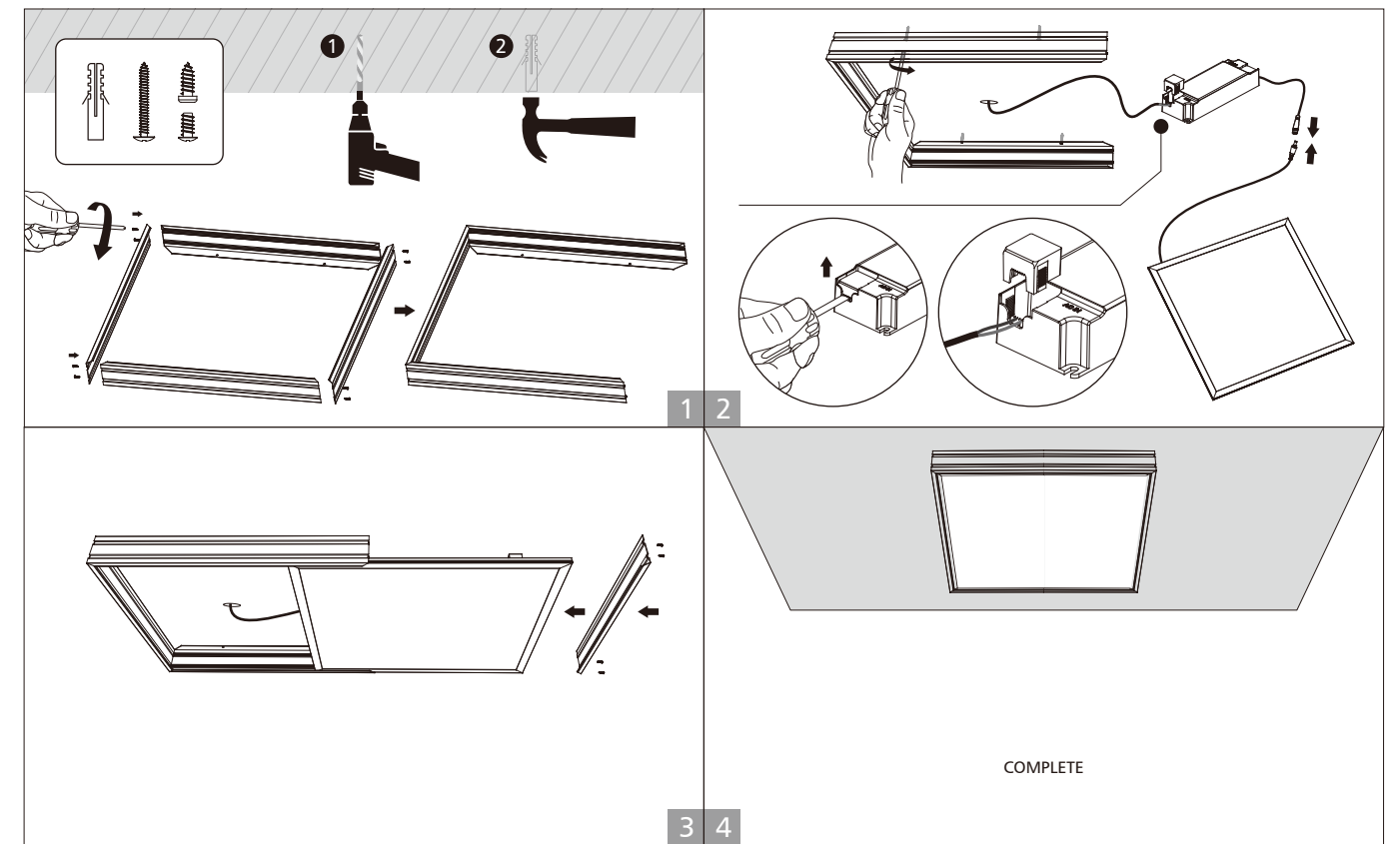
Turn Off power supply before starting any installation. Read instructions & check you have all the tools & accessories to complete the installation correctly.

For color changeable model(controlled by Slide Switch in lamp), please select light color before installation,see below picture.

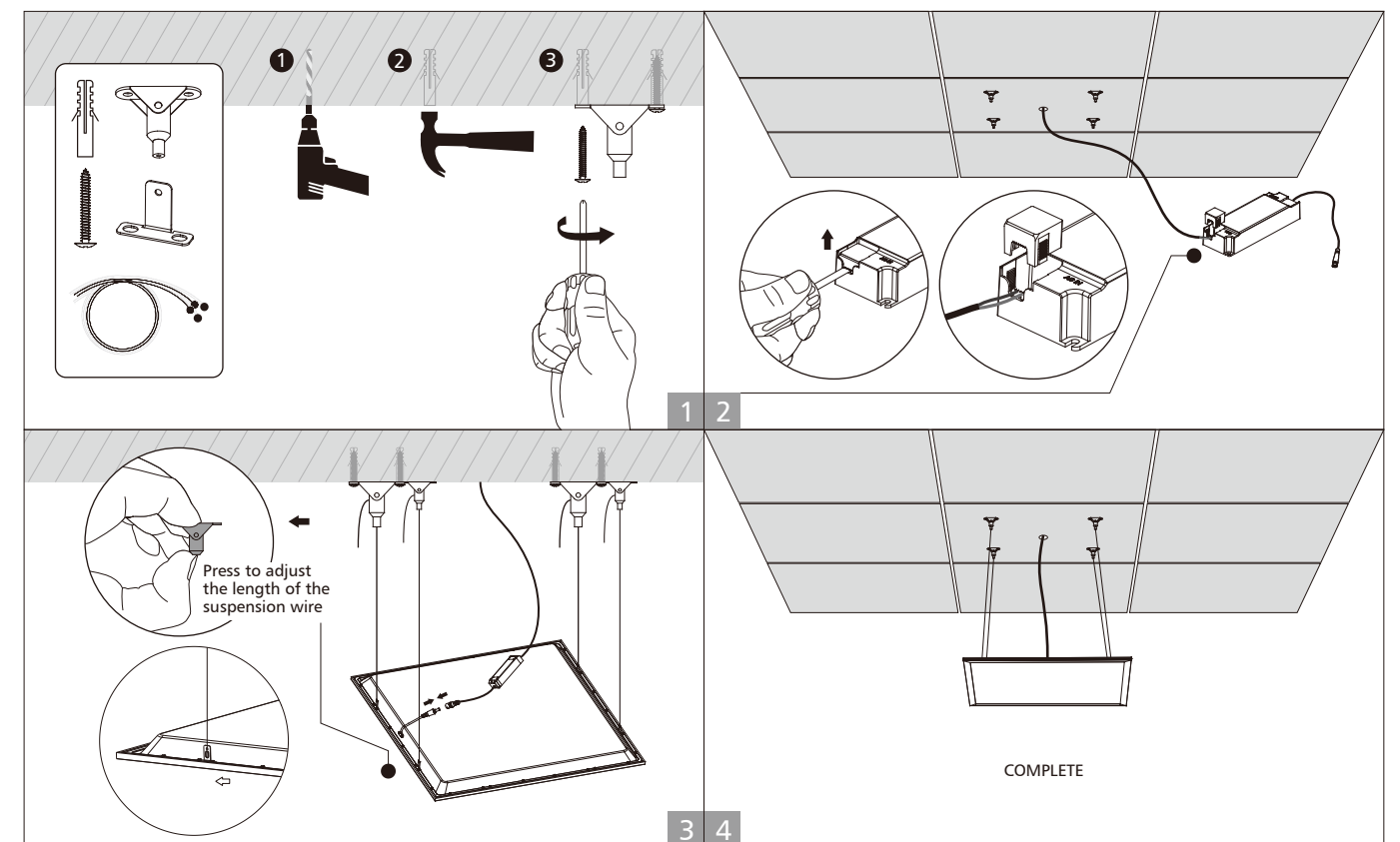
choose color by slide switch with corresponding color temperature.



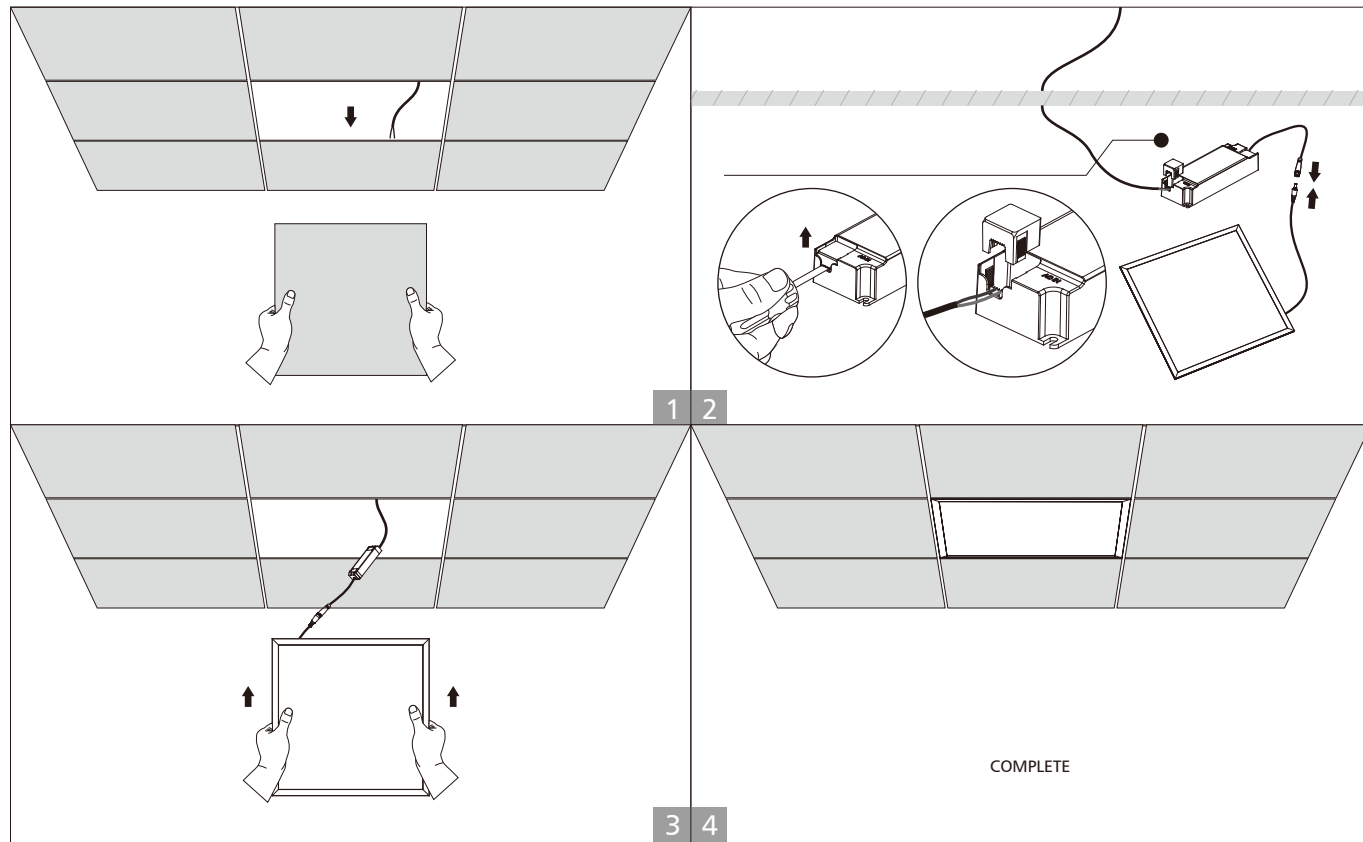
## Surface mount



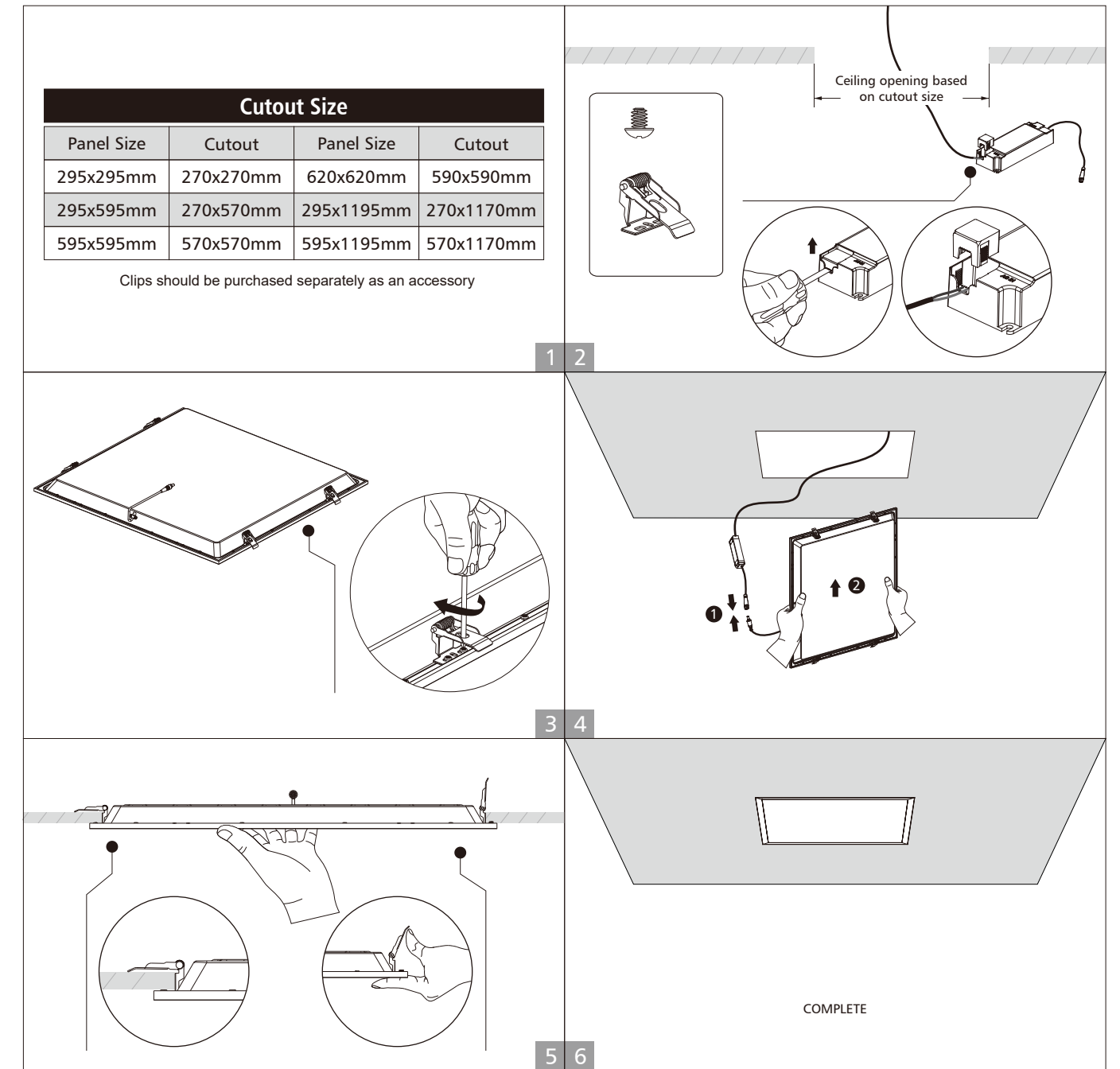
## Pendant



## Recessed(1)



## Recessed(2)



**ECO**  
Specifications

**STD**  
Specifications

**PRO**  
Specifications

**ODM**  
Specifications

  
**INT**  
Intelligent

  
**interglo**  
Lighting

[www.interglo.com.au](http://www.interglo.com.au) [sales@interglo.com.au](mailto:sales@interglo.com.au) TEL: 03 9518 5112