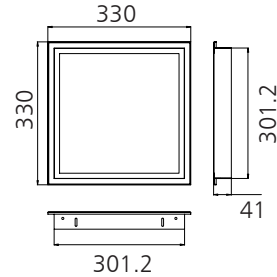


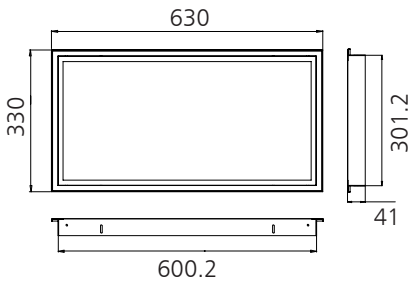
Technical Application Guide for LED Panel

UP-RF-01

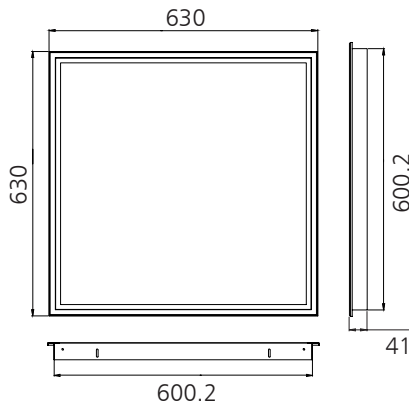
Introduction



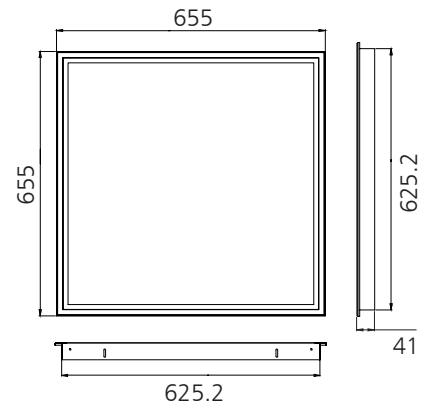
Model: UP-RF3030-01
 Apply to led panel light 295x295mm
 Ceiling kit size: 330x330mm
 310x310mm cutout
 0.476kg/pcs 5pcs/ctn
 Carton Size: 400x300x400mm



Model: UP-RF3060-01
 Apply to led panel light 295x595mm
 Ceiling kit size: 330x630mm
 310x610mm cutout
 0.715kg/pcs 5pcs/ctn
 Carton Size: 700x330x400mm



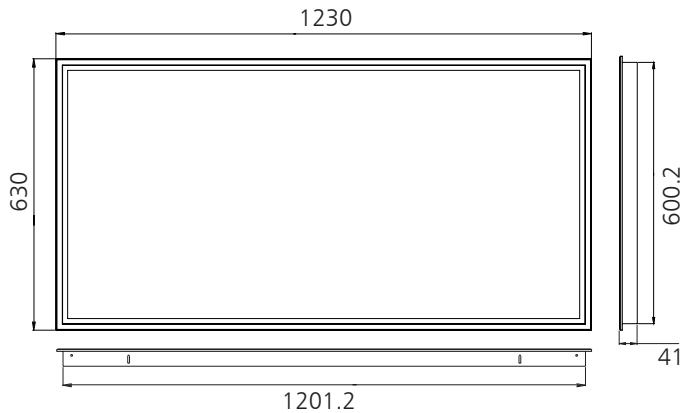
Model: UP-RF6060-01
 Apply to led panel light 595x595mm
 Ceiling kit size: 630x630mm
 610x610mm cutout
 0.952kg/pcs 5pcs/ctn
 Carton Size: 700x330x700mm



Model: UP-RF6262-01
 Apply to led panel light 620x620mm
 Ceiling kit size: 655x655mm
 635x635mm cutout
 0.992kg/pcs 5pcs/ctn
 Carton Size: 725x330x725mm

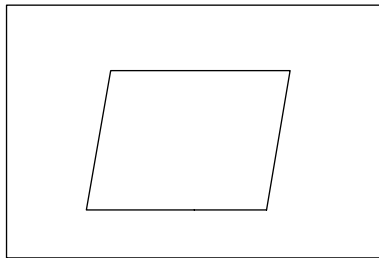


Model: UP-RF30120-01
 Apply to led panel light 295x1195mm
 Ceiling kit size: 330x1230mm
 310x1210mm cutout
 1.175kg/pcs 5pcs/ctn
 Carton Size: 1300x330x400mm

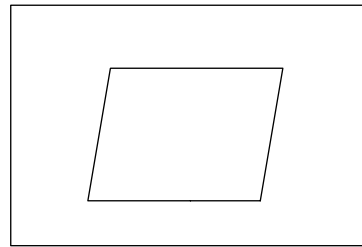


Model: UP-RF60120-01
 Apply to led panel light 595x1195mm
 Ceiling kit size: 630x1230mm
 610x1210mm cutout
 1.428kg/pcs 5pcs/ctn
 Carton Size: 1300x330x700mm

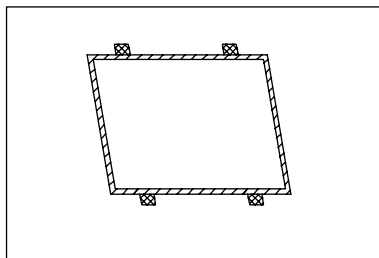
Panel ceiling installation instruction



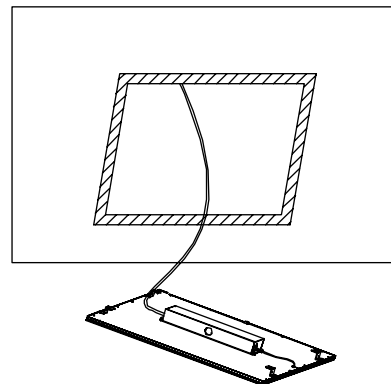
Step one:
Open a suitable size hole in
the ceiling



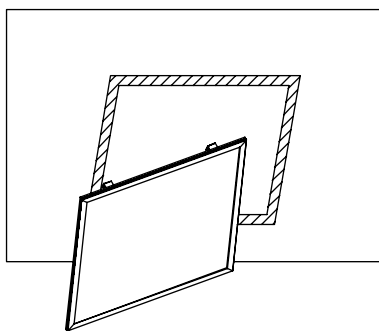
Step two:
Put the plaster recessed
frame into the hole



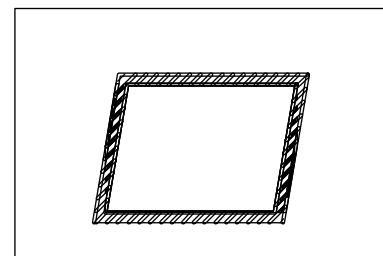
Step three:
Fix the plaster recessed frame
with the 4pcs clips



Step four:
Connect power supply with
the LED Panel light



Step five:
Put the LED panel light into the
plaster recessed frame



Step six:
Turn on the LED Panel light