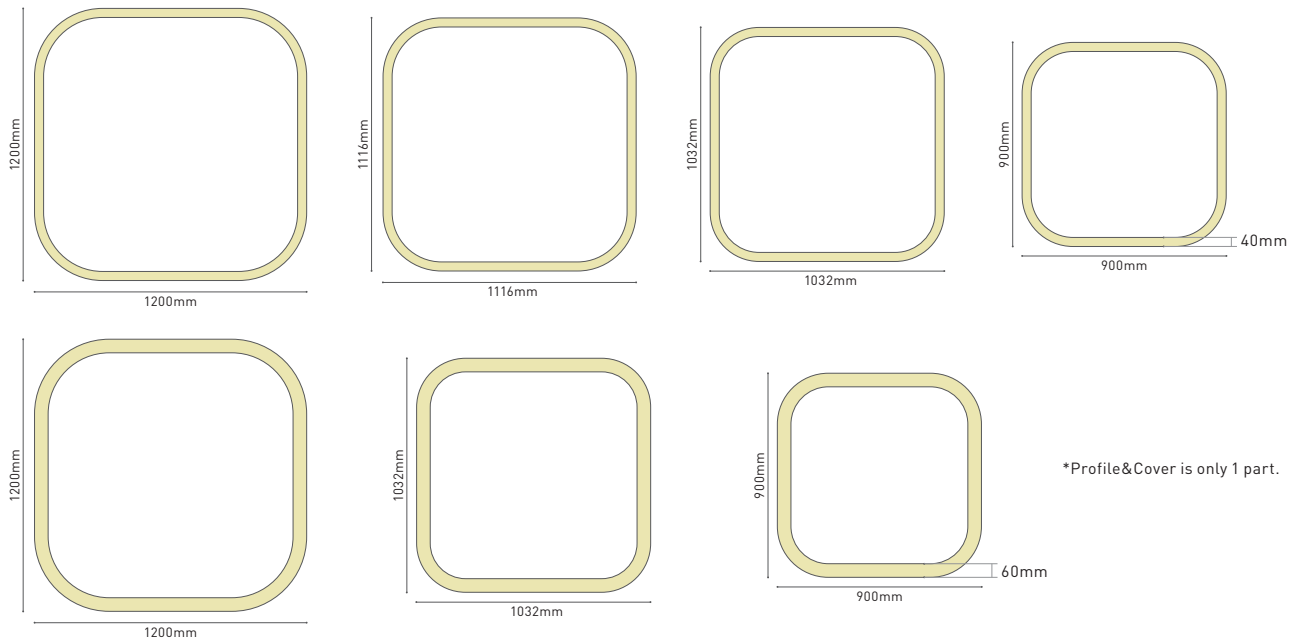


CB CE  RoHS FLICKER FREE

Belief



Sections



Ordering code for Belief series

*Lumens @4000K, CRI 80

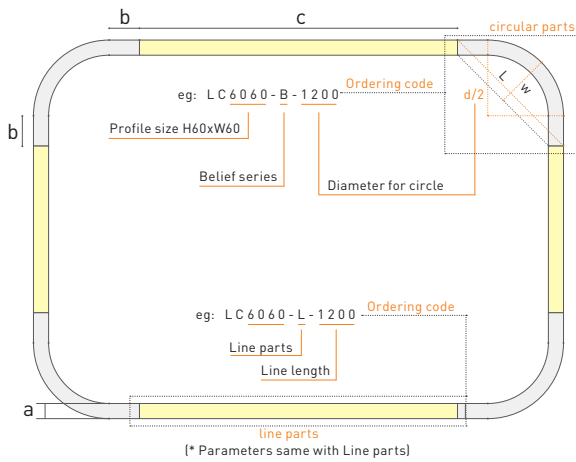
Model	Item	Size/mm	Power/W 1 pcs	Lumens /lm	Dimming	CCT	CRI	Input /VAC	Color	Certification
LCXX60	LC4060-B-900	H60xW900xL900	20	2000	Non Dali Triac 0-10V Tunable	3000K 4000K 6000K	>80 >90 >95	200-240 100-277	White Black Silver Gold	CE CB SAA RCM RoHS
	LC4060-B-1032	H60xW1032xL1032	25	2500						
	LC4060-B-1116	H60xW1116xL1116	35	3500						
	LC4060-B-1200	H60xW1200xL1200	40	4000						
	LC6060-B-900	H60xW900xL900	50	5000						
	LC6060-B-1032	H60xW1032xL1032	60	6000						
	LC6060-B-1200	H60xW1200xL1200	70	7000						
LCXX80	LC4080-B-900	H80xW900xL900	20	2000	Non Dali Triac 0-10V Tunable	3000K 4000K 6000K	>80 >90 >95	200-240 100-277	White Black Silver Gold	CE CB SAA RCM RoHS
	LC4080-B-1032	H80xW1032xL1032	25	2500						
	LC4080-B-1116	H80xW1116xL1116	35	3500						
	LC4080-B-1200	H80xW1200xL1200	40	4000						
	LC6080-B-900	H80xW900xL900	50	5000						
	LC6080-B-1032	H80xW1032xL1032	60	6000						
	LC6080-B-1200	H80xW1200xL1200	70	7000						
LCXX100	LC60100-B-900	H100xW900xL900	50	5000	Non Dali Triac 0-10V Tunable	3000K 4000K 6000K	>80 >90 >95	200-240 100-277	White Black Silver Gold	CE CB SAA RCM RoHS
	LC60100-B-1032	H100xW1032xL1032	60	6000						
	LC60100-B-1200	H100xW1200xL1200	70	7000						

Accessories

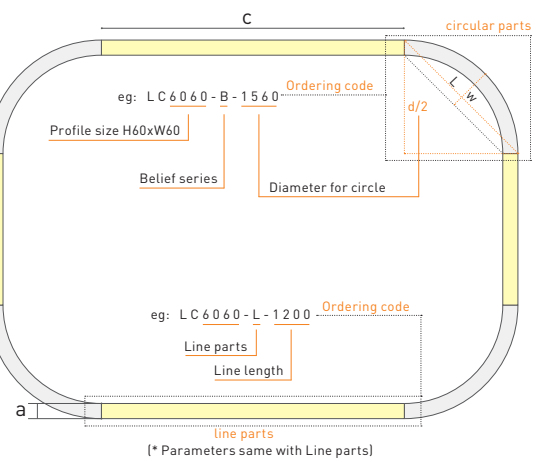




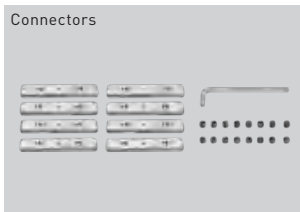
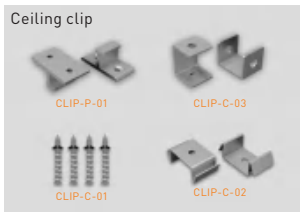
Case 1: if the diameter < 1.5m; b=200mm



Case 2: if the diameter ≥ 1.5m; b=0



Accessories



a/mm	d/mm	c/mm	b/mm
	450	900	
40	660	1000	
50	900	1100	
60	1060	1200	
70	1200	1300	
80	1560	1400	0
90	1860	1500	
100	2060	1600	200
110	2460	1700	
120	3060	1800	
150	4060	1900	
	5060	2000	
	6060	2200	
		2400	

Ordering code for Belief series-circular parts

*Lumens @4000K, CRI 80

Model	Item	Size/mm	Power/W angle 90°	Lumens /lm	Dimming	CCT	CRI	Input /VAC	Color	Certification
LCXX60	LC4060-B-450	H60xW236xL601	6	600	Non Dali Triac 0-10V Tunable	3000K 4000K 6000K	>80 >90 >95	200-240 100-277	White Black Silver Gold	CE CB SAA RCM RoHS
	LC4060-B-600	H60xW258xL707	8	800						
	LC4060-B-740	H60xW278xL806	9	900						
	LC4060-B-900	H60xW302xL919	10	1000						
	LC4060-B-1000	H60xW316xL990	12	1200						
	LC4060-B-1200	H60xW345xL1131	13	1300						
	LC4060-B-1540	H60xW254xL1089	10	1000						
	LC4060-B-1840	H60xW298xL1301	14	1400						
	LC4060-B-2040	H60xW327xL1443	15	1500						
	LC4060-B-2440	H60xW386xL1725	19	1900						
	LC4060-B-3040	H60xW473xL2150	22	2200						
	LC4060-B-4040	H60xW620xL2857	30	3000						
	LC4060-B-5040	H60xW766xL3564	40	4000						
	LC4060-B-6040	H60xW913xL4271	45	4500						
	LC4060-B-7040	H60xW1059xL4978	60	6000						
	LC6060-B-450	H60xW250xL601	15	1500						
	LC6060-B-660	H60xW281xL750	18	1800						
	LC6060-B-900	H60xW316xL919	20	2000						
	LC6060-B-1060	H60xW339xL1032	22	2200						
	LC6060-B-1200	H60xW360xL1131	25	2500						
	LC6060-B-1560	H60xW271xL1103	20	2000						
	LC6060-B-1860	H60xW315xL1315	27	2700						
	LC6060-B-2060	H60xW344xL1457	30	3000						
	LC6060-B-2460	H60xW403xL1739	37	3700						
	LC6060-B-3060	H60xW491xL2164	45	4500						
	LC6060-B-4060	H60xW637xL2871	60	6000						
	LC6060-B-5060	H60xW783xL3578	80	8000						
	LC6060-B-6060	H60xW930xL4285	90	9000						
	LC6060-B-7060	H60xW1076xL4992	120	12000						
	LC8060-B-680	H60xW298xL764	22	2200						
	LC8060-B-900	H60xW330xL919	27	2700						
	LC8060-B-1200	H60xW374xL1131	35	3500						
	LC8060-B-1580	H60xW288xL1117	30	3000						
	LC8060-B-1880	H60xW332xL1329	40	4000						
	LC8060-B-2080	H60xW361xL1471	45	4500						
	LC8060-B-2480	H60xW420xL1754	56	5600						
	LC8060-B-3080	H60xW508xL2178	67	6700						
	LC8060-B-4080	H60xW654xL2885	90	9000						
	LC8060-B-5080	H60xW801xL3592	120	12000						
	LC8060-B-6080	H60xW947xL4299	135	13500						
LC8060-B-7080	H60xW1093xL5006	180	18000							

Belief

Ordering code for Belief series-circular parts

*Lumens @4000K, CRI 80

Model	Item	Size/mm	Power/W angle 90°	Lumens /lm	Dimming	CCT	CRI	Input /VAC	Color	Certification
LCXX80	LC4080-B-450	H80xW236xL601	6	600	Non Dali Triac 0-10V Tunable	3000K 4000K 6000K	>80 >90 >95	200-240 100-277	White Black Silver Gold	CE CB SAA RCM RoHS
	LC4080-B-600	H80xW258xL707	8	800						
	LC4080-B-740	H80xW278xL806	9	900						
	LC4080-B-900	H80xW302xL919	10	1000						
	LC4080-B-1000	H80xW316xL990	12	1200						
	LC4080-B-1200	H80xW345xL1131	13	1300						
	LC4080-B-1540	H80xW254xL1089	10	1000						
	LC4080-B-1840	H80xW298xL1301	14	1400						
	LC4080-B-2040	H80xW327xL1443	15	1500						
	LC4080-B-2440	H80xW386xL1725	19	1900						
	LC4080-B-3040	H80xW473xL2150	22	2200						
	LC4080-B-4040	H80xW620xL2857	30	3000						
	LC4080-B-5040	H80xW766xL3564	40	4000						
	LC4080-B-6040	H80xW913xL4271	45	4500						
	LC4080-B-7040	H80xW1059xL4978	60	6000						
	LC6080-B-450	H80xW250xL601	15	1500						
	LC6080-B-660	H80xW281xL750	18	1800						
	LC6080-B-900	H80xW316xL919	20	2000						
	LC6080-B-1060	H80xW339xL1032	22	2200						
	LC6080-B-1200	H80xW360xL1131	25	2500						
	LC6080-B-1560	H80xW271xL1103	20	2000						
	LC6080-B-1860	H80xW315xL1315	27	2700						
	LC6080-B-2060	H80xW344xL1457	30	3000						
	LC6080-B-2460	H80xW403xL1739	37	3700						
	LC6080-B-3060	H80xW491xL2164	45	4500						
	LC6080-B-4060	H80xW637xL2871	60	6000						
	LC6080-B-5060	H80xW783xL3578	80	8000						
	LC6080-B-6060	H80xW930xL4285	90	9000						
	LC6080-B-7060	H80xW1076xL4992	120	12000						
	LC8080-B-680	H80xW298xL764	22	2200						
	LC8080-B-900	H80xW330xL919	27	2700						
	LC8080-B-1200	H80xW374xL1131	35	3500						
	LC8080-B-1580	H80xW288xL1117	30	3000						
	LC8080-B-1880	H80xW332xL1329	40	4000						
	LC8080-B-2080	H80xW361xL1471	45	4500						
	LC8080-B-2480	H80xW420xL1754	56	5600						
	LC8080-B-3080	H80xW508xL2178	67	6700						
	LC8080-B-4080	H80xW654xL2885	90	9000						
	LC8080-B-5080	H80xW801xL3592	120	12000						
	LC8080-B-6080	H80xW947xL4299	135	13500						
LC8080-B-7080	H80xW1093xL5006	180	18000							

Belief

Ordering code for Belief series-circular parts

*Lumens @4000K, CRI 80

Model	Item	Size/mm	Power/W angle 90°	Lumens /lm	Dimming	CCT	CRI	Input /VAC	Color	Certification
LCXX100	LC40100-B-450	H100xW236xL601	6	600	Non Dali Triac 0-10V Tunable	3000K 4000K 6000K	>80 >90 >95	200-240 100-277	White Black Silver Gold	CE CB SAA RCM RoHS
	LC40100-B-600	H100xW258xL707	8	800						
	LC40100-B-740	H100xW278xL806	9	900						
	LC40100-B-900	H100xW302xL919	10	1000						
	LC40100-B-1000	H100xW316xL990	12	1200						
	LC40100-B-1200	H100xW345xL1131	13	1300						
	LC40100-B-1540	H100xW254xL1089	10	1000						
	LC40100-B-1840	H100xW298xL1301	14	1400						
	LC40100-B-2040	H100xW327xL1443	15	1500						
	LC40100-B-2440	H100xW386xL1725	19	1900						
	LC40100-B-3040	H100xW473xL2150	22	2200						
	LC40100-B-4040	H100xW620xL2857	30	3000						
	LC40100-B-5040	H100xW766xL3564	40	4000						
	LC40100-B-6040	H100xW913xL4271	45	4500						
	LC40100-B-7040	H100xW1059xL4978	60	6000						
	LC60100-B-450	H100xW250xL601	15	1500						
	LC60100-B-660	H100xW281xL750	18	1800						
	LC60100-B-900	H100xW316xL919	20	2000						
	LC60100-B-1060	H100xW339xL1032	22	2200						
	LC60100-B-1200	H100xW360xL1131	25	2500						
	LC60100-B-1560	H100xW271xL1103	20	2000						
	LC60100-B-1860	H100xW315xL1315	27	2700						
	LC60100-B-2060	H100xW344xL1457	30	3000						
	LC60100-B-2460	H100xW403xL1739	37	3700						
	LC60100-B-3060	H100xW491xL2164	45	4500						
	LC60100-B-4060	H100xW637xL2871	60	6000						
	LC60100-B-5060	H100xW783xL3578	80	8000						
	LC60100-B-6060	H100xW930xL4285	90	9000						
	LC60100-B-7060	H100xW1076xL4992	120	12000						
	LC80100-B-680	H100xW298xL764	22	2200						
	LC80100-B-900	H100xW330xL919	27	2700						
	LC80100-B-1200	H100xW374xL1131	35	3500						
	LC80100-B-1580	H100xW288xL1117	30	3000						
	LC80100-B-1880	H100xW332xL1329	40	4000						
	LC80100-B-2080	H100xW361xL1471	45	4500						
	LC80100-B-2480	H100xW420xL1754	56	5600						
	LC80100-B-3080	H100xW508xL2178	67	6700						
	LC80100-B-4080	H100xW654xL2885	90	9000						
	LC80100-B-5080	H100xW801xL3592	120	12000						
	LC80100-B-6080	H100xW947xL4299	135	13500						
LC80100-B-7080	H100xW1093xL5006	180	18000							