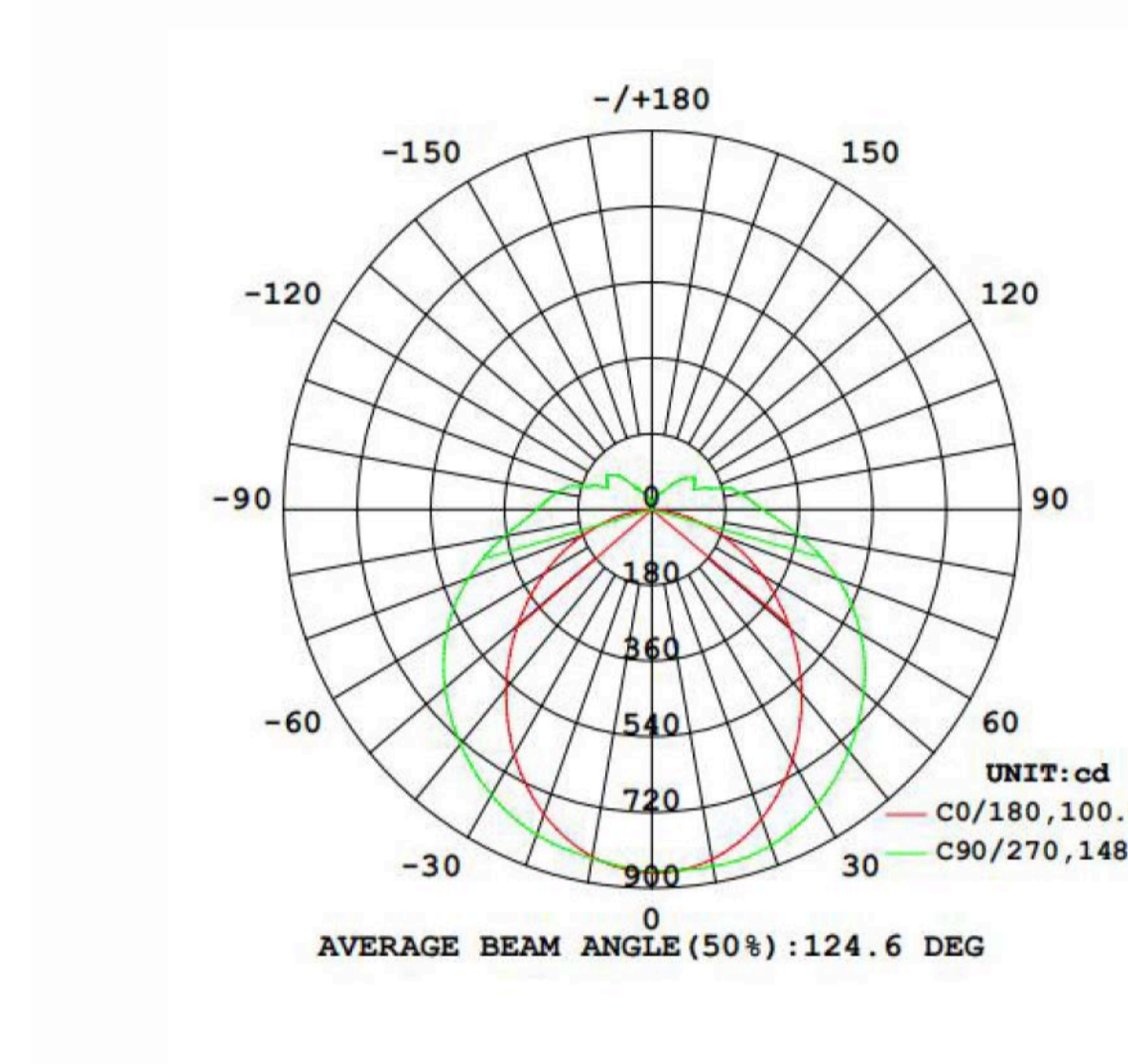
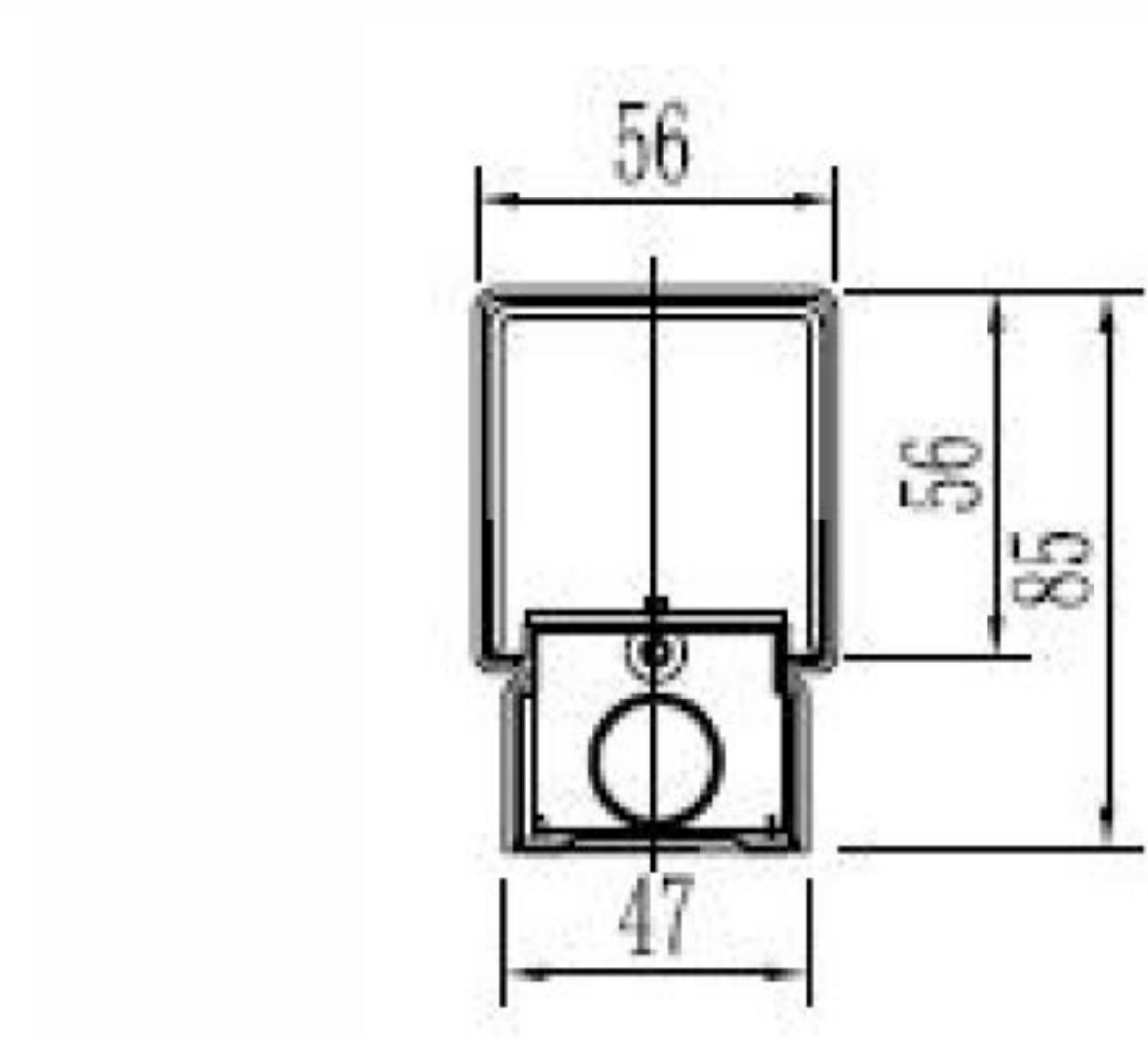


Constellation



Commercial

Product Information

Name	Constellation Surface Mounted LED Batten
Dimensions	1186x56x85mm
Fitting Power	40W
Lumen Output	4080LM
Efficiency (lm/w)	102lm/w
LED Chip	Samsung
Driver	Lifud
Input Voltage	220-240V
Driver Current	1050mA
Dimming Options	Not Dimmable
Diffuser	Opal
Colour	White
Mounting	Suspended, Surface
Warranty	3 Years